

# Tech Tray



# Tech Tray

Designed to accommodate the growing use of portable technology in the workplace, including laptop computers, tablets, e-readers, cell phones, MP3 players and more, Humanscale's new Tech Tray offers a simple solution for technology access and storage. Sized to easily hold a laptop with docking station, the Tech Tray helps organize and optimize a workspace by getting technology off the desk. Even better, it keeps technology out of sight, out of the way, and safe from that spilled cup of coffee. And paired with Humanscale's Keyed Security Lock, it will minimize the risk of theft.

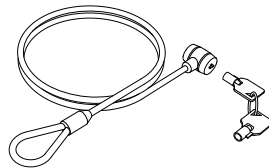


## Features & Specifications

- Large platform accommodates all portable technology
- Under-the-desk track provides easy access or convenient stowing
- Slim design ensures plenty of leg clearance
- Tray Dimensions: 12" D x 14" W
- 16" track easily fits under all desks
- Complete unit fits within 3.5" of underside of desk
- Made of 99% steel for strength and durability
- 30% recycled content
- 100% recyclable
- 15 year 24/7 warranty
- List Price: \$99 US

## Keyed Security Lock

Designed to fit all technology devices with a standard security keyhole, our Keyed Security Lock protects your technology investments.



## Features & Specifications

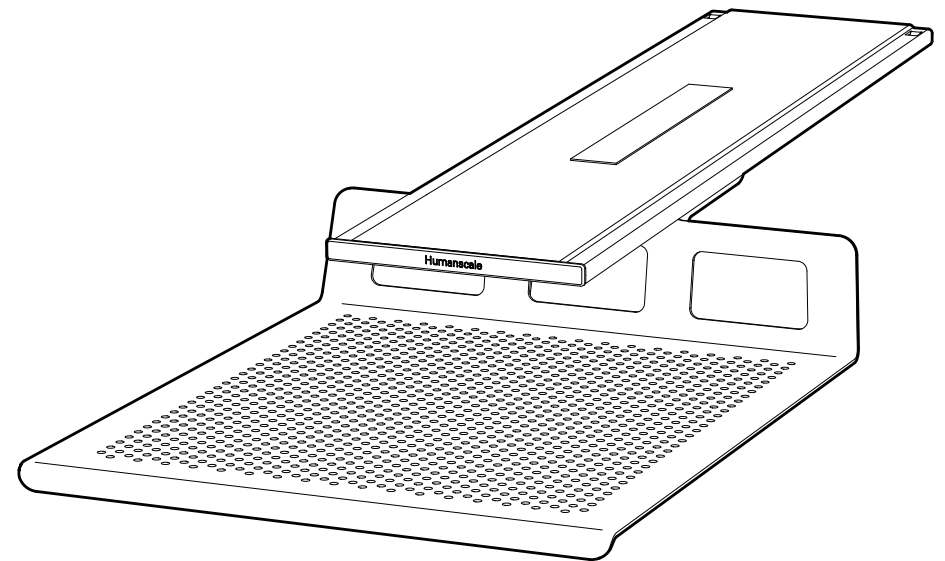
- Fits all technology with a standard security keyhole
- 24" long cable for flexibility
- Thousands of unique keys for security in large work areas
- Made of steel for strength and durability
- 15 year 24/7 warranty
- List Price: \$30



Witteveen Projectinrichting  
Ouderkerk a/d Amstel  
Tel: 020 - 496 5030  
info@witteveen.nl  
www.project-inrichting.nl  
www.ergonomics.nl



Creating a  
more comfortable  
place to work.



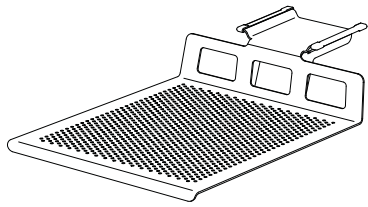
[www.humanscale.com](http://www.humanscale.com)

HSITT0610

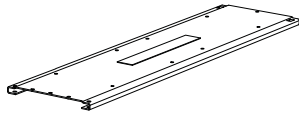
# Tech Tray

Installation Instructions

## TECH TRAY INSTALLATION HARDWARE



Tech Tray



Track



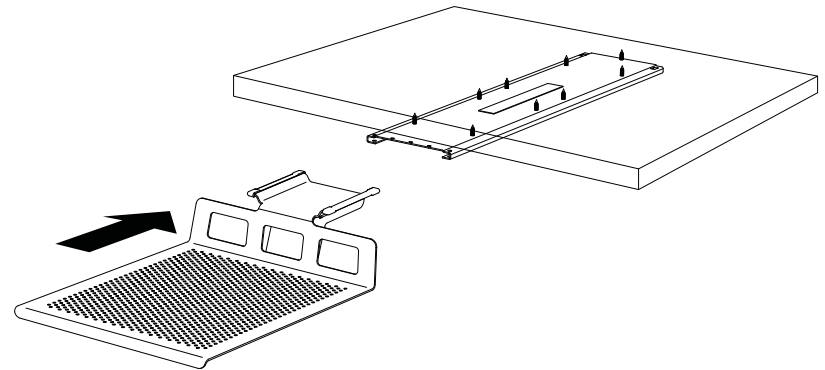
Track Cover



11 Installation Screws

## STEP 2: INSTALL TECH TRAY

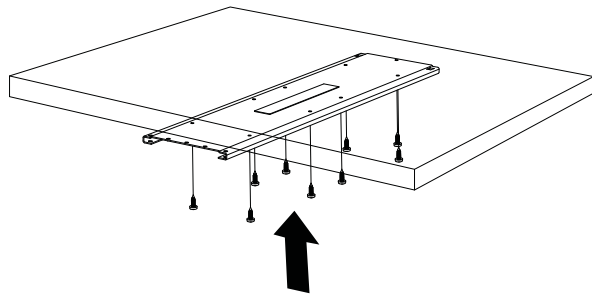
Slide Tech Tray into Track as shown.



## STEP 1: INSTALL TRACK

Remove tape backing from Track and position Track on the underside of the desktop approximately 1/2" from the edge of the desk with the tabs in the back. Install using 9 Installation Screws."

*Note: Do not fasten screws through the three holes at the front of Track.*



## STEP 3: INSTALL TRACK COVER

Place Track Cover over the front of Track. Fasten 2 remaining Installation Screws through Track Cover and into the desktop.

