

Ergotron Parabolische multi-monitor opstelling voor Control Room

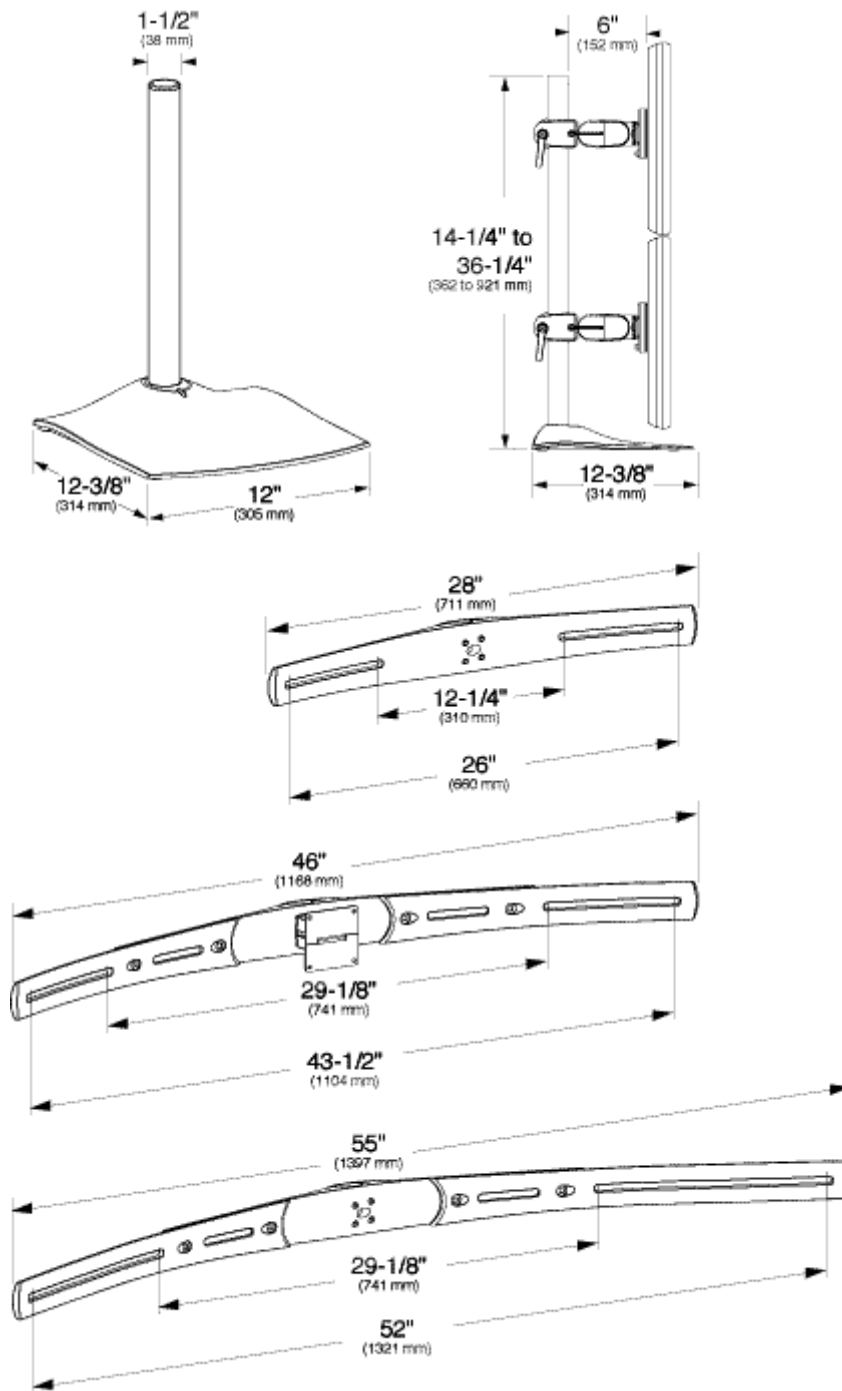
Witteveen Projectinrichting, Ouderkerk a/d Amstel



PARAVIEW voor uw multi-monitor opstelling

Weight Capacity	Single Monitor:	23 lbs (10.4 kg)
	Dual-Monitor Vertical:	23 lbs (10.4 kg) per monitor
	Dual-Monitor Horizontal:	28 lbs (12.7 kg) per monitor
	Triple Monitor:	28 lbs (12.7 kg) per monitor
	Quad Monitor:	28 lbs (12.7 kg) per monitor
	More Info:	Weight capacity may be diminished if monitor depth is greater than 2 inches. Read more.
Environmental	Optimal Operating Temp:	40 to 110 degrees F (4 to 43 degrees C)
Standards	Monitor Attachment:	VESA FDMI, MIS-D, 75/100, C (hole pattern: 100 x 100 mm & 75 x 75 mm); TUV-GS Safety Certificate

Dimensions



Witteveen Projectinrichting bv
Kerkstraat 57, Ouderkerk a/d Amstel
Postbus 86, 1190 AB Ouderkerk a/d Amstel
Tel: 020 - 496 5030 / Fax: 020 - 496 3052
info@witteveen.nl / www.project-inrichting.nl