



*** INTELLIGENT HIGHLIGHTS.
THE TYCOON FAMILY OF INDIRECT
LUMINAIRES.**

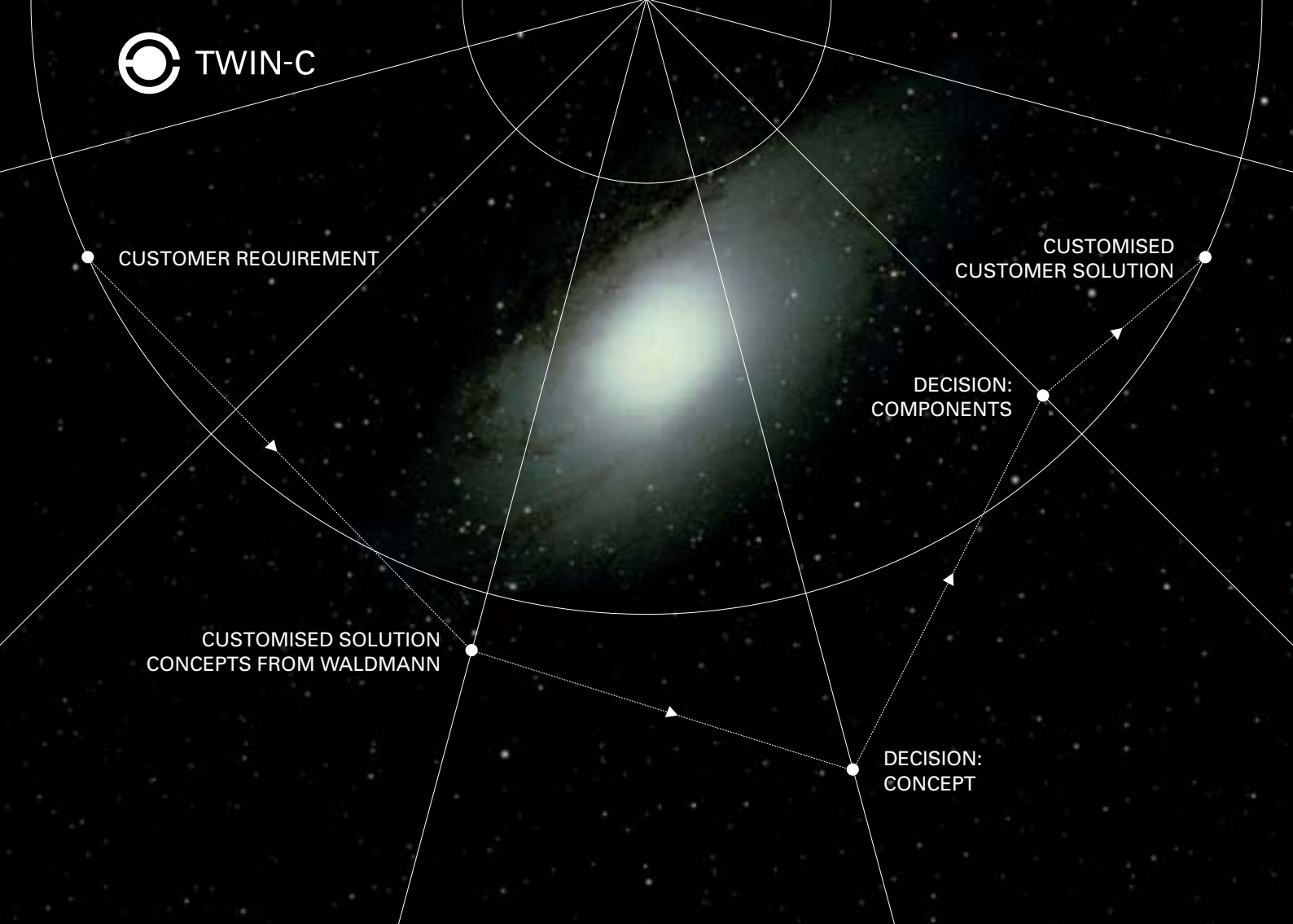
INCLUDES TYCOON INNOVATIONS

Witteveen Projectinrichting
Ouderkerk a/d Amstel
Tel: 020 - 496 5030
Fax: 020 - 496 3052
info@witteveen.nl
www.project-inrichting.nl



CONTENTS

PAGE	
03	THE NEW DEFINITION OF THE RIGHT LIGHT AT THE WORKSTATION TWIN-C
04 - 15	TYCOON tycoon comfort family Intelligent energy efficiency thanks to PULSE HFMD Intelligence makes life simple Easy maintenance is also a sign of intelligence tycoon comfort 2-tube tycoon comfort table-mounted luminaire tycoon comfort pendant uplighter
16 - 17	TYCOON CLASSIC tycoon classic family
18 - 19	INTELLIGENT LIGHTING MANAGEMENT COMPARED PULSE HFMD and PULSE PIR
20 - 27	TECHNICAL DATA tycoon comfort 4-tube (free-standing and table-mounted luminaire) tycoon comfort 2-tube (free-standing and table-mounted luminaire) tycoon comfort 228/254 (pendant uplighter) tycoon comfort 235/280 (pendant uplighter) tycoon comfort 428/454 (pendant uplighter) tycoon comfort/classic (wall-mounted luminaire) tycoon classic 4-tube (free-standing and table-mounted luminaire) tycoon classic 2-tube (free-standing and table-mounted luminaire)
29	PRODUCT MATRIX tycoon comfort tycoon classic



TWIN-C. THE RIGHT LIGHTING COMBINATION.

Two trends determine the planning of light at the workstation.

First: The axis-orientated building and room planning follows the demand for maximum flexibility. Up to 30% of workstations are moved annually. There are constant new arrangements and furnishings, as well as movement and usage areas.

Secondly: The European Directive on "Total Energy Efficiency" has also had to be implemented nationally since 2006. It is thought that 30% of the energy requirement of an office building is for lighting alone. Suddenly, light becomes a priority planning criterion.

Waldmann unites the demands for more flexibility, light quality and energy efficiency in its new "TWIN-C" lighting philosophy.

Proper light is added value. It activates and motivates, it promotes concentration, the harmony of cooperation as well as individual and collective performance. The right light is a motor for business success.

Good illumination provides the right light at the right place. It is orientated towards the task and the environment. Good illumination is therefore above all a question of the right components.

TWIN-C is the logical combination of the correct light and good illumination. TWIN-C combines intelligent components in usage-orientated solutions. For greater light quality, flexibility and energy efficiency.



THE TYCOON COMFORT FAMILY. THE NEW INTELLIGENCE OF THE LUMINAIRE.



NEW *tycoon comfort 2-tube
(free-standing and table-mounted
luminaire)*



NEW *tycoon comfort pendant uplighter*



NEW *tycoon comfort wall-mounted
luminaire*



NEW *tycoon comfort 4-tube
(free-standing and NEW:
table-mounted luminaire)*





Intelligent light:

Up to 27% glare-free direct light. Two individual luminance levels for computer work and other activities. Meets EN 12464-1 for the ideal light at the workstation.



Intelligent energy efficiency:

Up to 80% energy saving thanks to the unique PULSE HFMD presence sensor and daylight-dependent control. Efficiency of 74% thanks to mirror-finish reflectors combined with a specially developed micro-prism.



Intelligent maintenance:

Simple cleaning and tool-free replacement of fluorescent lamps from below thanks to removable side parts and diffuser panels.



Intelligent operation:

Switch and visual power display on the lower arm at desk level. Individual, infinitely variable definition of the desired lighting level within the luminance levels.



Intelligent ergonomics:

Forked foot for placing directly at the workstation. Bent arm and pivoting luminaire head allow perfect orientation of the light.



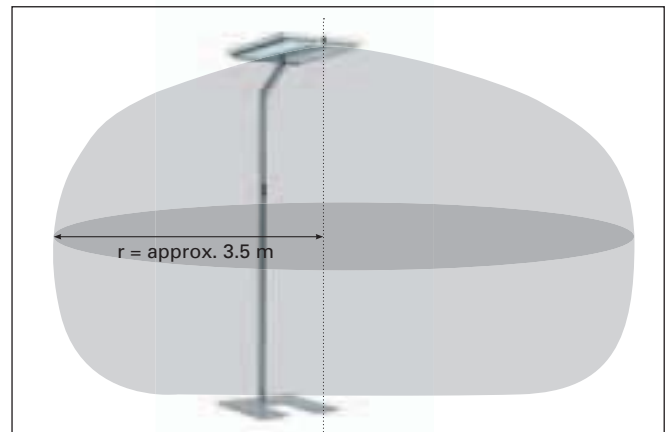
INTELLIGENT ENERGY EFFICIENCY THANKS TO PULSE HFMD.



PULSE HFMD (High Frequency Motion Detector) works together with intelligent lighting management of the luminaires, and even senses the smallest movements within a definable range. This means that the luminaire knows exactly whether you are present or not, and turns it on and off accordingly. At the same time it perceives the general light level and regulates the amount of light emitted depending on the available daylight.

*KNX = Open Standard for home and building control
EIB = European Installation Bus
LON = Local Operating Network*

Waldmann is a member of the DALI workgroup.



Sensory range of PULSE HFMD



COULD IT GET ANY MORE INTELLIGENT?

THE WALDMANN PULSE HFMD LIGHTING MANAGEMENT SYSTEM REDUCES ELECTRICITY CONSUMPTION BY UP TO 80%. THE TYCOON EVEN MEETS THE SWISS MINERGIE® REQUIREMENTS AND IS THEREFORE EXTREMELY INTERESTING IN THE IMPLEMENTATION OF EUROPEAN ENERGY EFFICIENCY DIRECTIVE 2002/91/EC.

Technical systems are networked in buildings using building management systems such as LON or EIB. Components such as illumination, electricals, heating, air-conditioning, ventilation, sun screening, access controls and lifts are no longer operated individually.

In combination with the EIB module, the tycoon and PULSE HFMD becomes part of an intelligent building and exchanges information with other systems. Additional modules and special units are therefore unnecessary.



INTELLIGENCE MAKES LIFE EASY.



Intelligent ergonomics:

Luminaire head with brains. The bend in the arm can be pivoted by 45° to increase the glare-free impact of direct and indirect light on the area of the visual task. The luminaire head, which can be pivoted by 90°, enables fine alignment.



Intelligent operation thanks to visual power display:

The operating element is at desk height so you can reach it without having to stand up. It is extremely easy to use and shows you the current power status of your tycoon. It is also possible to communicate with switched power sockets.



Intelligent ergonomics:

The forked foot – upright safety par excellence paired with well thought-out ergonomics. When table legs get in the way, simply move the luminaire closer to you.



EASY MAINTENANCE IS ALSO A SIGN OF INTELLIGENCE.

THE TASK OF THE TYCOON IS TO MAKE BUILDING
MANAGEMENT AS SIMPLE AS POSSIBLE. NATURALLY, THIS
INCLUDES AN INTELLIGENT SOLUTION FOR CLEANING THE
LUMINAIRES AND CHANGING THE FLUORESCENT LAMPS.

Cleaning and maintaining free-standing luminaires generally requires intensive effort, which multiplies considerably with the number of luminaires. A tool is normally required to get at the luminaire body. Cleaning and changing the fluorescent lamps often poses a safety risk, due to the need to climb on tables or chairs.

It's all very different with the tycoon: here, the side parts can be removed and the diffuser panel pulled out by hand without the need for a tool. Afterwards the fluorescent lamp can be easily removed or the panel wiped clean. This is how well thought-out and cost-efficient maintenance can be.

* TYCOON COMFORT 2-TUBE.





Reference: Roedl & Partner | Luminaire: tycoon comfort 4-tube, free-standing luminaire

AN ILLUMINATING EXAMPLE IN TERMS OF EFFICIENCY.

USING ONLY TWO LAMPS, THE INSTALLED POWER OUTPUT IS REDUCED TO A MINIMUM. VALUES THEREFORE FALL WITHIN THE SWISS MINERGIE® REQUIREMENTS.

Measured in terms of efficiency, the 2-tube tycoon comfort does not have to hide behind its 4-tube sister. And at 74% it is around 10% more efficient than comparable luminaires.

A small stroke of genius supports this lighting power: The specially developed micro-prism. When combined with mirror-finish reflectors it works as a light amplifier and light director. Thus 27% of the light is focused directly onto the work surface. The indirect portion provides even ambient lighting all round. Without blinding neighbouring stations and without being reflected from computer screens.

MEMBER
MINERGIE



THE TYCOON COMFORT TABLE-MOUNTED LUMINAIRE.



NEW *tycoon table connector*



NEW *tycoon table connector*





THE TYCOON PENDANT UPLIGHTER.
THE HIGHEST FORM OF INTELLIGENCE.





ALSO TOP IN TERMS OF FLEXIBILITY.

THE TYCOON PENDANT UPLIGHTER MAKES A HIGHLY-INTELLIGENT CONTRIBUTION TO INCREASING ENERGY EFFICIENCY. WITH ITS LIGHT AMPLIFYING MICRO-PRISM AND MIRROR-FINISH REFLECTORS IT ACHIEVES EFFICIENCY IN EXCESS OF 90%. THIS MEANS THAT YOU NEED FEWER LUMINAIRES. A LIGHT THAT HAS A POSITIVE EFFECT ON YOUR PROCUREMENT COSTS AND OVERHEADS.

Let's look at the tycoon pendant uplighter through the eyes of an architect. The all-round dispersion achieved with the micro-prism allows an axis-orientated positioning of the luminaire - i.e. at a 90° angle to the window façade and right across the workstation. So you can stay flexible with your future planning. Room divisions can be changed as required and partition walls moved more easily.

The tycoon pendant uplighter is like a chameleon. Its cubic, slim design fits with any architecture, floats inconspicuously in the space above people's heads and reduces itself to pure function: It provides high-quality light that promotes well-being and performance.



THE TYCOON CLASSIC FAMILY. INTELLIGENT TWIN SISTERS.



NEW *tycoon classic 2-tube
(free-standing and table-mounted
luminaire)*



NEW *tycoon classic wall-mounted
luminaire*



NEW *tycoon classic 4-tube
(free-standing and NEW:
table-mounted luminaire)*



Intelligent energy efficiency:

The tycoon classic is fitted with the intelligent lighting management system PULSE PIR. The passive infrared movement sensor reacts to shifts in room temperature around the workstation and regulates luminosity depending on the amount of daylight. This generates electricity savings of up to 80%!



Intelligent maintenance:

The side parts can be removed, the diffuser panel pulled out and the fluorescent lamp changed without a tool. Maintenance could hardly be quicker, safer or more cost-effective.



Intelligent ergonomics:

The tycoon classic is fitted with a pivoting head and a flat foot. The luminaire can therefore be pushed easily under any office container and positioned directly by your workstation.



INTELLIGENT LIGHTING MANAGEMENT COMPARED.

PULSE HFMD (tycoon comfort):

The presence sensor of the tycoon comfort registers even the smallest movements within a radius of 3.5 metres, thanks to high frequencies. The light comes on automatically when people are in the room, and goes off again when they leave it. PULSE HFMD also senses the daylight as a benchmark for regulating the light level.

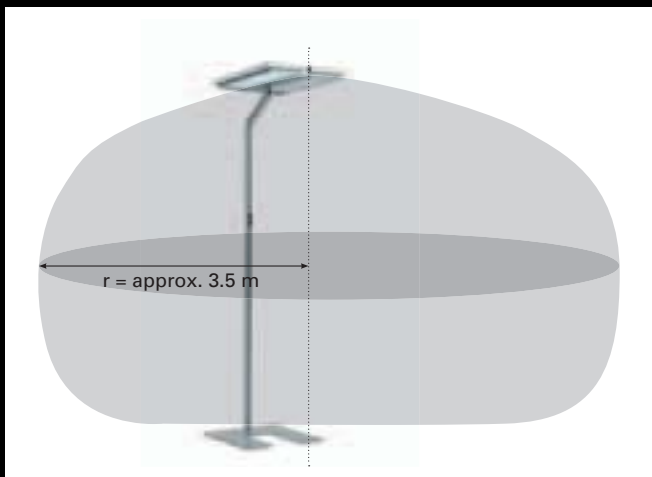


PULSE PIR (tycoon classic):

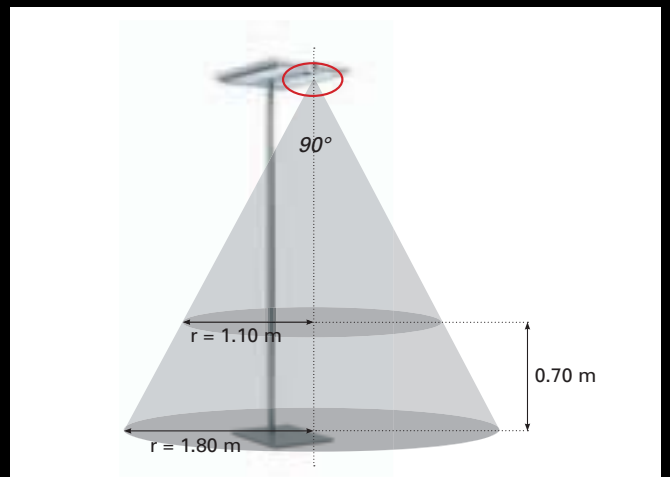
The PULSE PIR lighting management system uses an infrared motion sensor. It reacts to shifts in room temperature. Unlike conventional infrared systems, the light is not switched on and off abruptly, but raised and dimmed slowly or adjusted to the daylight. Different light levels can be set. Less light when working at the computer, more light for meetings or reading.



THE SENSORY RANGES COMPARED:



Sensory range of PULSE HFMD

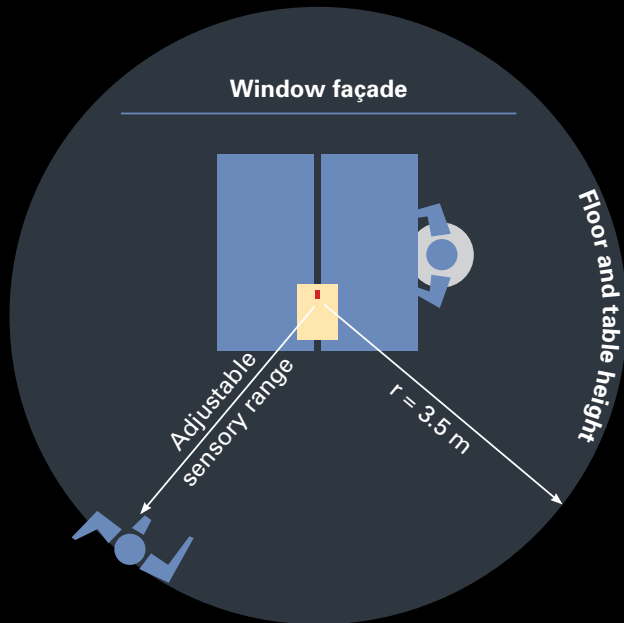


Sensory range of PULSE PIR

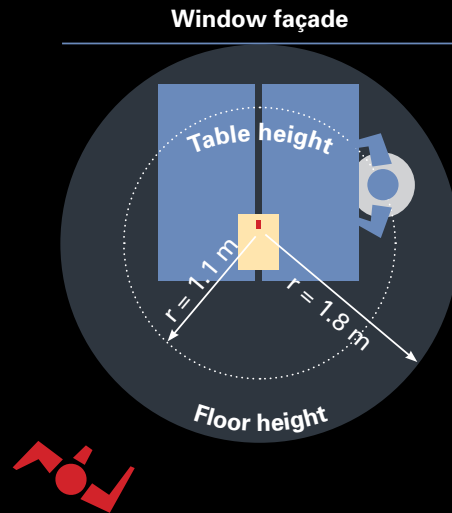


SENSORY RANGE OF THE PRESENCE SENSORS.

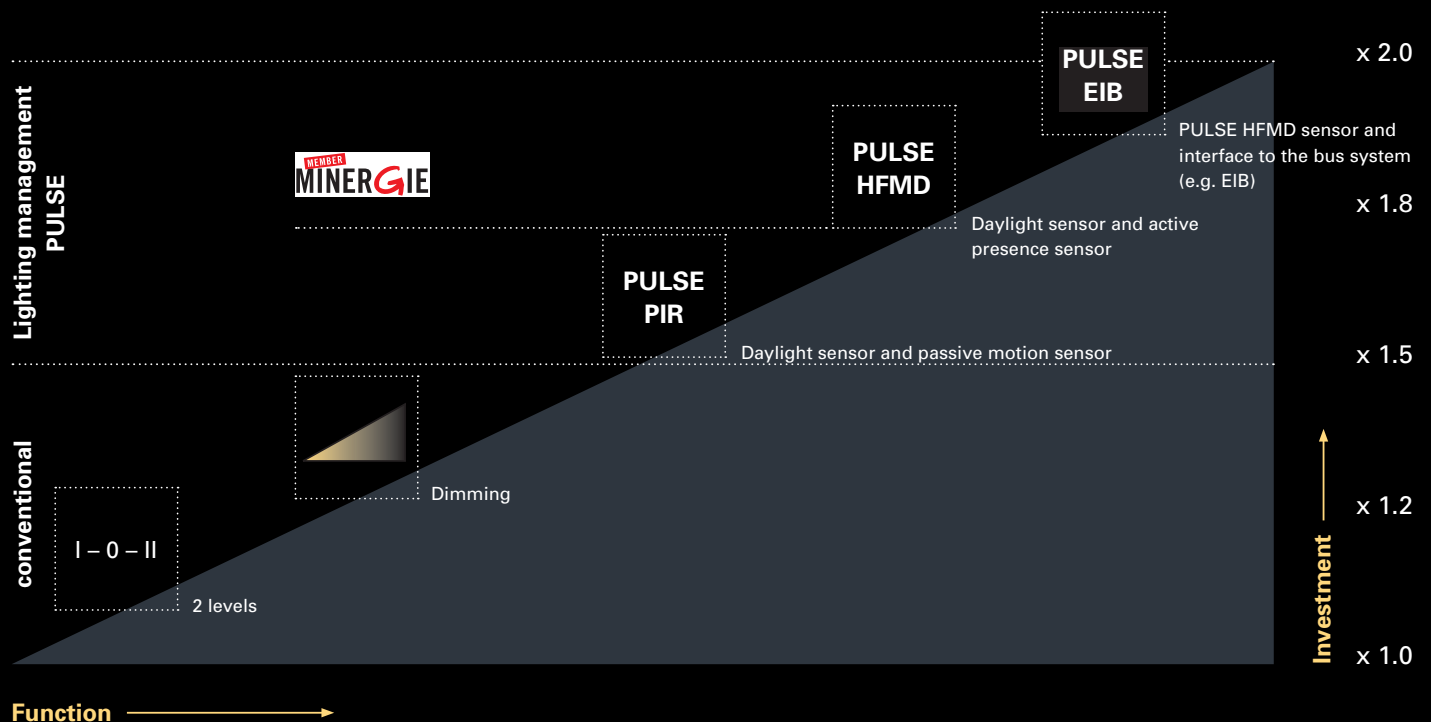
PULSE HFMD (room-orientated):



PULSE PIR (workstation-orientated):



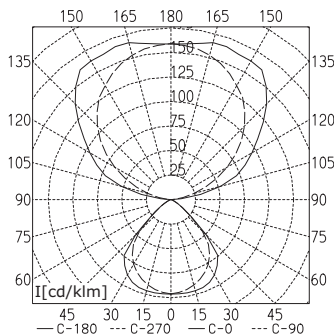
THE TYCOON PRODUCT RANGE.



TYCOON COMFORT 4-TUBE

FREE-STANDING AND TABLE-MOUNTED LUMINAIRE

TECHNICAL DATA



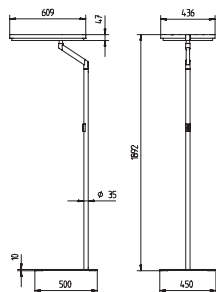
Free-standing luminaire /

POWER SUPPLY	230 - 240 V; 50/60 Hz
FITTED WITH	4 x compact fluorescent lamp TC-L 55W
WORK EQUIPMENT	EVG
POWER CONSUMPTION	approx. 235W
MAINS POWER CABLE	approx. 3 m; shockproof plug
HOUSING MATERIAL	Aluminium / plastic, silver metallic
LOWER ARM	Steel tube painted in silver metallic, angled
FOOT	Square steel plate, flat, painted in silver metallic
OPERATION	Multifunction button in lower arm
OPERATING EFFICIENCY	74%
LIGHT DISTRIBUTION	Symmetrical; direct portion approx. 27%
DIFFUSION	Light amplifying micro-prism, avg. luminance at reflector in accordance with the requirements of EN 12464-1
LAMP COVER	None

SPECIAL FEATURES

- Integrated light sensor and presence detector PULSE HFMD (on types DYS 455/P and DYS 455/PB).
- Sensitive response; pleasant, inconspicuous control and dimming behaviour thanks to appropriate impulse delay and asymmetrical dimming (on types DYS 455/P and DYS 455/PB).
- Two individually adjustable light levels.
- Easy-to-reach multifunctional operating element. (Can be connected to switched power sockets.)
- Luminaire head can be pivoted by +/- 90°.
- Detachable side parts and diffuser panel for easy replacement of fluorescent lamps and cleaning.
- Head connection can be pivoted by +/- 45°.

ORDER NUMBERS



Free-standing luminaire

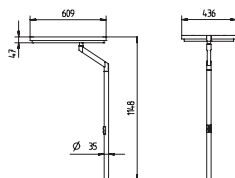


Table-mounted luminaire

FREE-STANDING LUMINAIRES

TYPE

ORDER NO.

ANGLED LOWER ARM

Free-standing luminaire switchable	DYS 455/2	121 384 008
Free-standing luminaire dimmable	DYS 455/D	121 385 008
Free-standing luminaire PULSE HFMD	DYS 455/P	121 386 008
Free-standing luminaire PULSE EIB ¹	DYS 455/PB	121 469 008

STRAIGHT LOWER ARM

Free-standing luminaire switchable	DYS 455/2	121 245 008
Free-standing luminaire dimmable	DYS 455/D	121 248 008
Free-standing luminaire PULSE HFMD	DYS 455/P	121 250 008

TABLE-MOUNTED LUMINAIRE

TYPE

ORDER NO.

ANGLED LOWER ARM²

Table-mounted luminaire switchable	DYT 455/2	121 391 008
Table-mounted luminaire dimmable	DYT 455/D	121 392 008
Table-mounted luminaire PULSE HFMD	DYT 455/P	121 393 008

STRAIGHT LOWER ARM²

Table-mounted luminaire switchable	DYT 455/2	121 256 008
Table-mounted luminaire dimmable	DYT 455/D	121 258 008
Table-mounted luminaire PULSE HFMD	DYT 455/P	121 260 008

ACCESSORIES

ORDER NO.

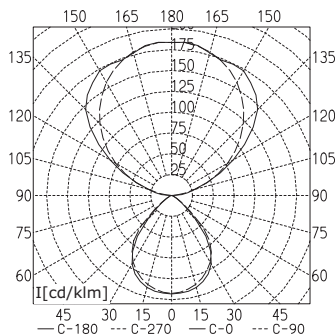
¹ FREE STANDING LUMINAIRE PULSE EIB:	Data cable	210 218 019
	Mains cable shockproof plug	320 293 020

² TABLE-MOUNTED LUMINAIRES:	Table clamp, black, span 20 - 28 mm	191 102 019
	(Other adaptations on request)	

TYCOON COMFORT 2-TUBE

FREE-STANDING AND TABLE-MOUNTED LUMINAIRE

TECHNICAL DATA



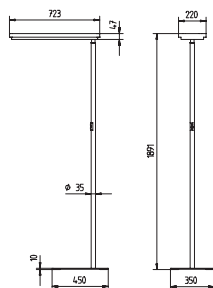
Free-standing luminaire /
Table-mounted luminaire

POWER SUPPLY	230 - 240 V; 50/60 Hz
FITTED WITH	2 x compact fluorescent lamp TC-L 55 W
WORK EQUIPMENT	EVG
POWER CONSUMPTION	approx. 119 W
MAINS POWER CABLE	approx. 3 m, shockproof plug
HOUSING MATERIAL	Aluminium / plastic, silver metallic
LOWER ARM	Steel tube painted in silver metallic, straight
FOOT	Square steel plate, flat, painted in silver metallic
OPERATION	Multifunction button in lower arm
OPERATING EFFICIENCY	74 %
LIGHT DISTRIBUTION	Symmetrical; direct portion approx. 27 %
DIFFUSION	Light-amplifying micro-prism, avg. luminance at reflector in accordance with the requirements of EN 12464-1
LAMP COVER	None

SPECIAL FEATURES

- Integrated light sensor and presence detector PULSE HFMD (on types DYS 255/P and DYT 255/P).
- Sensitive response; pleasant, inconspicuous control and dimming behaviour thanks to appropriate impulse delay and asymmetric dimming.
- Two individually adjustable light levels.
- Easy-to-reach multifunctional operating element. (Can be connected to switched power sockets.)
- Luminaire head can be pivoted by +/- 90°.
- Detachable side parts and diffuser panel for easy replacement of fluorescent lamps and cleaning.

ORDER NUMBERS



Free-standing luminaire

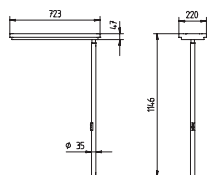


Table-mounted luminaire

FREE-STANDING LUMINAIRES

	TYPE	ORDER NO.
Free-standing luminaire switchable	DYS 255	121 438 008
Free-standing luminaire dimmable	DYS 255/D	121 437 008
Free-standing luminaire PULSE HFMD	DYS 255/P	121 436 008

TABLE-MOUNTED LUMINAIRE

	TYPE	ORDER NO.
Table-mounted luminaire switchable	DYT 255	121 448 008
Table-mounted luminaire dimmable	DYT 255/D	121 447 008
Table mounted luminaire PULSE HFMD	DYT 255/P	121 446 008

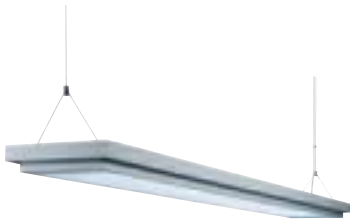
ACCESSORIES

	ORDER NO.
TABLE-MOUNTED LUMINAIRES: Table clamp, black, span 20 - 28 mm (Other adaptations on request)	191 102 019

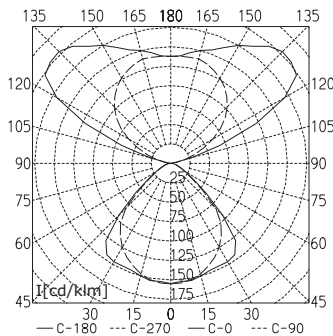
TYCOON COMFORT 228 / 254

PENDANT UPLIGHTER

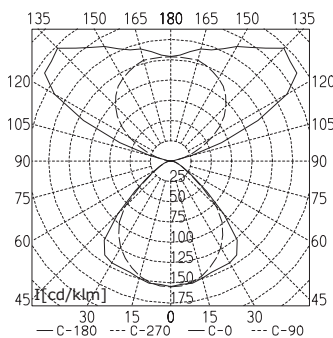
TECHNICAL DATA



POWER SUPPLY	230 - 240 V; 50/60 Hz
WORK EQUIPMENT	Multiwatt EVG
DIFFUSION	Light-amplifying micro-prism, avg. luminance at the reflector in accordance with EN 12464-1
MAINS POWER CABLE	Wired connection
LUMINOUS POWER	Switchable or digitally dimmable
LAMP COVER	Plastic
HOUSING MATERIAL	Steel / aluminium / plastic
HOUSING COLOUR	Silver metallic



DYP 228



DYP 254

SPECIAL FEATURES

HIGH ENERGY EFFICIENCY

- Very high efficiency of > 90% thanks to innovative lighting technology.
- Consumption values of < 10 W per m² are achieved depending on the room coordinates. These outstanding values give excellent characteristics for the field of "illumination" when defining the content of the building documentation.

PLANNING AROUND THE WORKSTATION POSSIBLE

- tycoon pendant uplighters offer the possibility of appropriate and functional illumination planning that focuses on the area of the visual task.

AXIS-ORIENTATED POSITIONING POSSIBLE

- The all-round diffusion that conforms to standards allows the luminaire to be positioned directly over the workstations and perpendicular to the windows.

HIGH LIGHTING QUALITY

- Positive ambient effect due to a high indirect portion of light (feeling of bright surroundings)
- Illumination is focused on the workstation and its requirements

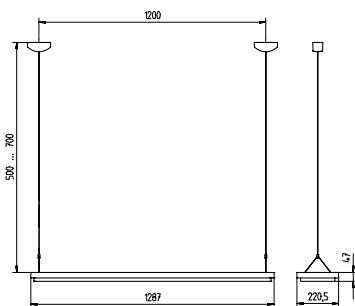
FLEXIBLE LIGHT LEVEL

- Integrated multiwatt EVG permits the use of either 28 or 54 W lamps for the flexible adjustment of the light level to changed ambient and workstation requirements.

ORDER NUMBERS

TYPE

ORDER NO.



Pendant uplighter 228 / 254

DYP 228

FITTED WITH	2 x fluorescent lamp T5 28 W
POWER CONSUMPTION	approx. 63 W
LIGHT DISTRIBUTION	Symmetrical; direct portion 35%, indirect portion 65%

switchable	DYP 228	121 454 008
dig. dimmable DALI	DYP 228/D	121 456 008

DYP 254

FITTED WITH	2 x fluorescent lamp T5 54 W
POWER CONSUMPTION	119 W
LIGHT DISTRIBUTION	Symmetrical; direct portion approx. 36%, indirect portion approx. 64%

switchable	DYP 254	121 455 008
dig. dimmable DALI	DYP 254/D	121 457 008

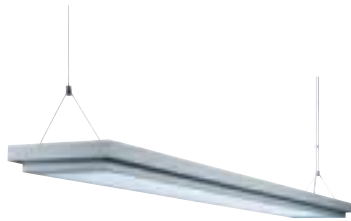
ACCESSORIES

Ceiling connection boxes (Baldachin) available on request.

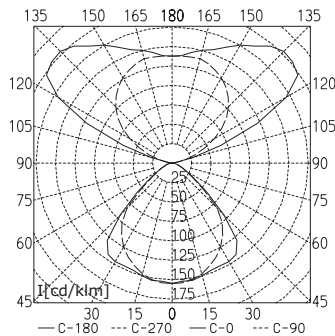
TYCOON COMFORT 235 / 280

PENDANT UPLIGHTER

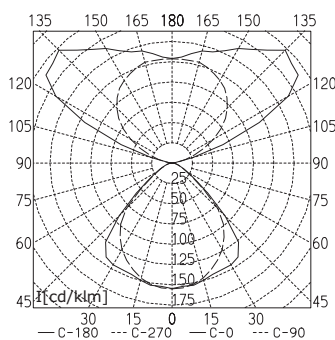
TECHNICAL DATA



POWER SUPPLY	230 - 240 V; 50/60 Hz
WORK EQUIPMENT	EVG
DIFFUSION	Light-amplifying micro-prism, avg. luminance at the reflector in accordance with EN 12464-1
MAINS CONNECTION	Wired connection
LUMINOUS POWER	Switchable or digitally dimmable
LAMP COVER	Plastic
HOUSING MATERIAL	Steel / aluminium / plastic
HOUSING COLOUR	Silver metallic



DYP 235



DYP 280

SPECIAL FEATURES

HIGH ENERGY EFFICIENCY

- Very high efficiency of > 90% thanks to innovative lighting technology.
- Consumption values of < 10 W per m² are achieved depending on the room coordinates. These outstanding values give excellent characteristics for the field of "illumination" when defining the content of the building documentation.

PLANNING AROUND THE WORKSTATION POSSIBLE

- tycoon pendant uplighters offer the possibility of appropriate and functional illumination planning that focuses on the area of the visual task.

AXIS-ORIENTATED POSITIONING POSSIBLE

- The all-round diffusion that conforms to standards allows the luminaire to be positioned directly over the workstations and perpendicular to the windows.

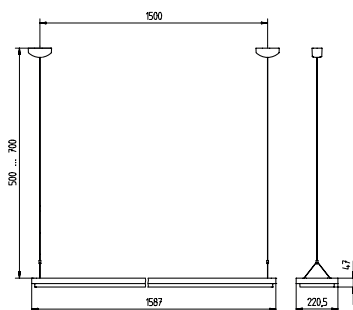
HIGH LIGHTING QUALITY

- Positive ambient effect due to a high indirect portion of light (feeling of bright surroundings)
- Illumination is focused on the workstation and its requirements

ORDER NUMBERS

TYPE

ORDER NO.



Pendant uplighter 235 / 280

DYP 235

FITTED WITH	2 x fluorescent lamp T5 54 W
POWER CONSUMPTION	approx. 79 W
LIGHT DISTRIBUTION	Symmetrical; direct portion approx. 35%, indirect portion approx. 65%

switchable	DYP 235	121 471 008
dig. dimmable DALI	DYP 235/D	121 474 008

DYP 280

FITTED WITH	2 x fluorescent lamp T5 80 W
POWER CONSUMPTION	174 W
LIGHT DISTRIBUTION	Symmetrical; direct portion 36%, indirect portion 64%

switchable	DYP 280	121 473 008
dig. dimmable DALI	DYP 280/D	121 476 008

ACCESSORIES

Ceiling connection boxes (Baldachin) available on request.

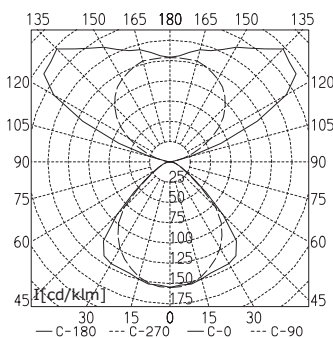
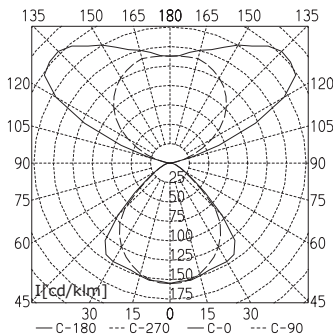
TYCOON COMFORT 428 / 454

PENDANT UPLIGHTER

TECHNICAL DATA



POWER SUPPLY	230 - 240 V; 50/60 Hz
WORK EQUIPMENT	Multiwatt EVG
DIFFUSION	Light-amplifying micro-prism, avg. luminance at the reflector in accordance with EN 12464-1
MAINS CONNECTION	Wired connection
LUMINOUS POWER	2 switched groups, separately switchable or all dimmable (digital)
LAMP COVER	Plastic
HOUSING MATERIAL	Steel / aluminium / plastic
HOUSING COLOUR	Silver metallic



DYP 454

SPECIAL FEATURES

HIGH ENERGY EFFICIENCY

- Very high efficiency of > 90% thanks to innovative lighting technology.
- Consumption values of < 10 W per m² are achieved depending on the room coordinates. These outstanding values give excellent characteristics for the field of "illumination" when defining the content of the building documentation.

PLANNING AROUND THE WORKSTATION POSSIBLE

- tycoon pendant uplighters offer the possibility of appropriate and functional illumination planning that focuses on the area of the visual task.

AXIS-ORIENTATED POSITIONING POSSIBLE

- The all-round diffusion that conforms to standards allows the luminaire to be positioned directly over the workstations and perpendicular to the windows.

HIGH LIGHTING QUALITY

- Positive ambient effect due to a high indirect portion of light (feeling of bright surroundings)
- Illumination is focused on the workstation and its requirements

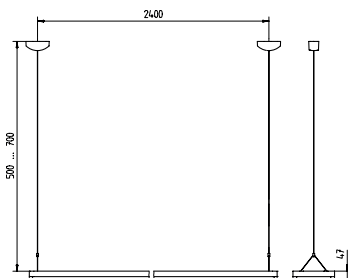
FLEXIBLE LIGHT LEVEL

- Integrated multiwatt EVG permits the use of either 28W or 54W lamps for the flexible adjustment of the light level to changed ambient and workstation requirements.

ORDER NUMBERS

TYPE

ORDER NO.



Pendant uplighter 428 / 454

DYP 428

FITTED WITH	2 x 2 x Fluorescent Lamp T5 28W
POWER CONSUMPTION	approx. 252W
LIGHT DISTRIBUTION	symmetrical; direct portion 35%, indirect portion 65%

switchable	DYP 428/2	121 458 008
dig. dimmable DALI	DYP 428/D	121 460 008

DYP 454

FITTED WITH	2 x 2 x fluorescent lamp T5 54W
POWER CONSUMPTION	238W
LIGHT DISTRIBUTION	symmetrical; direct portion approx. 36%, indirect portion approx. 64%

switchable	DYP 454/2	121 459 008
dig. dimmable DALI	DYP 454/D	121 461 008

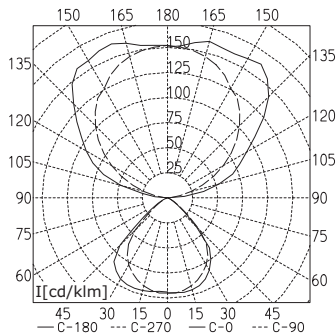
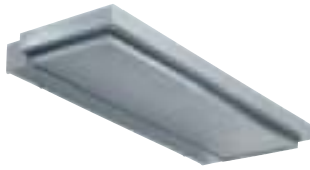
ACCESSORIES

Ceiling connection boxes (Baldachin) available on request.

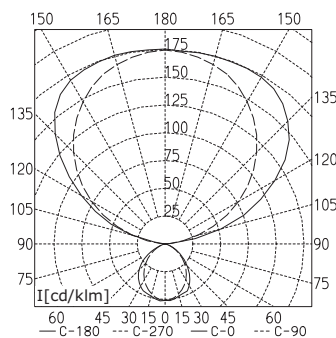
TYCOON COMFORT / CLASSIC

WALL-MOUNTED LUMINAIRE

TECHNICAL DATA



Wall-mounted luminaire comfort



Wall-mounted luminaire classic

POWER SUPPLY	230 - 240V; 50/60 HZ
FITTED WITH	2 x compact fluorescent lamp TC-L 55W
WORK EQUIPMENT	EVG
POWER CONSUMPTION	approx. 117W
MAINS CONNECTION	Wired connection
LUMINOUS POWER	Switchable or digitally dimmable
HOUSING MATERIAL	Aluminium / plastic
HOUSING COLOUR	Silver metallic
OPERATING EFFICIENCY	Without cover 73%

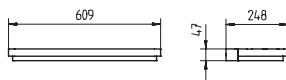
SPECIAL FEATURES

- Detachable side parts and diffuser panel for easy replacement of fluorescent lamps and cleaning.

ORDER NUMBERS

TYPE

ORDER NO.



Wall-mounted luminaire comfort / classic

COMFORT

LIGHT DISTRIBUTION	Symmetrical; direct portion approx. 27%, indirect portion approx. 73%
DIFFUSION	Light-amplifying micro-prism, avg. luminance at the reflector in accordance with EN 12464-1

switchable	DYW 255	121 395 008
dig. dimmable DALI	DYW 255/D	121 396 008

CLASSIC

LIGHT DISTRIBUTION	Symmetrical; direct portion approx. 17%, indirect portion approx. 83%
DIFFUSION	Fine matrix element

switchable	LYW 255	121 381 008
dig. dimmable DALI	LYW 255/D	121 382 008

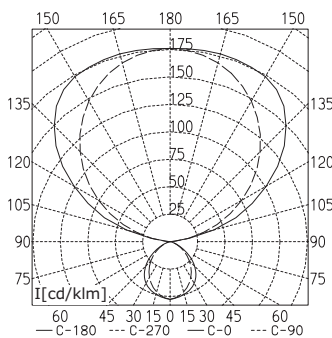
TYCOON CLASSIC 4-TUBE

FREE-STANDING AND TABLE-MOUNTED LUMINAIRE

TECHNICAL DATA



POWER SUPPLY	230 - 240 V; 50/60 Hz
FITTED WITH	4 x compact fluorescent lamp TC-L 55W
WORK EQUIPMENT	EVG
POWER CONSUMPTION	approx. 119 W
MAINS CONNECTION	approx. 3 m; shockproof plug
HOUSING MATERIAL	Aluminium / plastic, silver metallic
LOWER ARM	Steel tube painted in silver metallic
FOOT	Square steel plate, flat, painted in silver metallic
OPERATION	Button in luminaire head
OPERATING EFFICIENCY	68%
LIGHT DISTRIBUTION	Symmetrical; direct portion approx. 17%, indirect portion approx. 83%
DIFFUSION	Fine-matrix element
LAMP COVER	None

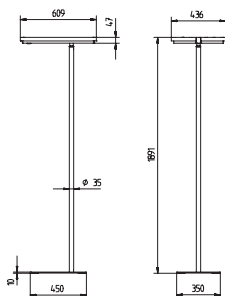


Free-standing luminaire /
Table-mounted luminaire

SPECIAL FEATURES

- Integrated light sensor and movement sensor PULSE PIR.
- Two individually adjustable light levels.
- Luminaire head can be pivoted by +/- 90°.
- Detachable side parts and fine-matrix element for easy replacement of fluorescent lamps and cleaning.

ORDER NUMBERS



Free-standing luminaire

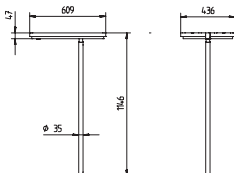


Table-mounted luminaire

FREE-STANDING LUMINAIRES

TYPE	ORDER NO.
Free-standing luminaire switchable	LYS 455 121 370 008
Free-standing luminaire dimmable	LYS 455/D 121 371 008
Free-standing luminaire PULSE PIR	LYS 455/R 121 372 008

TABLE-MOUNTED LUMINAIRES

TYPE	ORDER NO.
Table-mounted luminaire switchable	LYT 455 121 377 008
Table-mounted luminaire dimmable	LYT 455/D 121 378 008
Table-mounted luminaire PULSE PIR	LYT 455/R 121 379 008

ACCESSORIES

ACCESSORIES	ORDER NO.
TABLE-MOUNTED LUMINAIRES: Table clamp, black, span 20 - 28mm	191 102 019
(Other adaptations on request)	







HEAD OFFICE GERMANY

Herbert Waldmann GmbH & Co. KG
Postfach 5062
D-78057 Willingen-Schwenningen
Phone +49 (0) 7720/601-100
Fax +49 (0) 7720/601-290
www.waldmann.com
info@waldmann.com

USA

Waldmann Lighting Company
9, W. Century Drive
Wheeling, Illinois 60090, USA
Phone +1(0) 847-520-1060
Fax +1(0) 847-520-1730
www.waldmannlighting.com
waldmann@waldmannlighting.com

UK

Waldmann Lighting Ltd.
Holme Well Road
Middleton
GB-Leeds LS 10 4TQ
West Yorkshire
Phone +44 (0) 11 32 77 56 62
Fax +44 (0) 11 32 77 57 75
www.waldmann.com
enquiries@waldmannlighting.co.uk

FRANCE

Waldmann Eclairage S.A.S.
Z.I. Rue de l'Embranchement
F-67116 Reichstett
Adresse postale :
BP 23431 Reichstett
F-67455 Mundolsheim Cedex
Phone +33 (0) 3.88.20.95.88
Fax +33 (0) 3.88.20.95.68
www.waldmann.com
info-fr@waldmann.com

SWITZERLAND

Waldmann Lichttechnik GmbH
Benkenstr. 57
CH-5024 Küttigen
Phone +41 (0) 62-839 12 12
Fax +41 (0) 62-839 12 99
www.waldmann.com
info-ch@waldmann.com

AUSTRIA

Waldmann Lichttechnik Ges.m.b.H.
Gewerbepark Wagram 7
AT-4061 Pasching/Linz
Phone +43 (0) 722 967 400
Fax +43 (0) 722 967 444
www.waldmann.com
info-at@waldmann.com

ITALY

Waldmann Illuminotecnica S.r.l.
Via della Pace, 18 A
IT-20098 San Giuliano Milanese (MI)
Phone +39 (0) 02 98 24 90 24
Fax +39 (0) 02 98 24 63 78
www.waldmann.com
info-it@waldmann.com

SINGAPORE

Waldmann Lighting Pte. Ltd.
1200, Depot Road,
#04-17/18,
SG-Singapore 109675
Phone +65 (0) 62 75 83 00
Fax +65 (0) 62 75 83 77
www.waldmann.com
sales@waldmann.com.sg

NETHERLANDS

Waldmann Lichttechniek BV
Lingewei 19
NL-4004 LK Tiel
Phone +31 (0) 34 46-310 19
Fax +31 (0) 34 46-278 56
www.waldmann.com
info-nl@waldmann.com

Witteveen Projectinrichting
Ouderkerk a/d Amstel
Tel: 020 - 496 5030
Fax: 020 - 496 3052
info@witteveen.nl
www.project-inrichting.nl