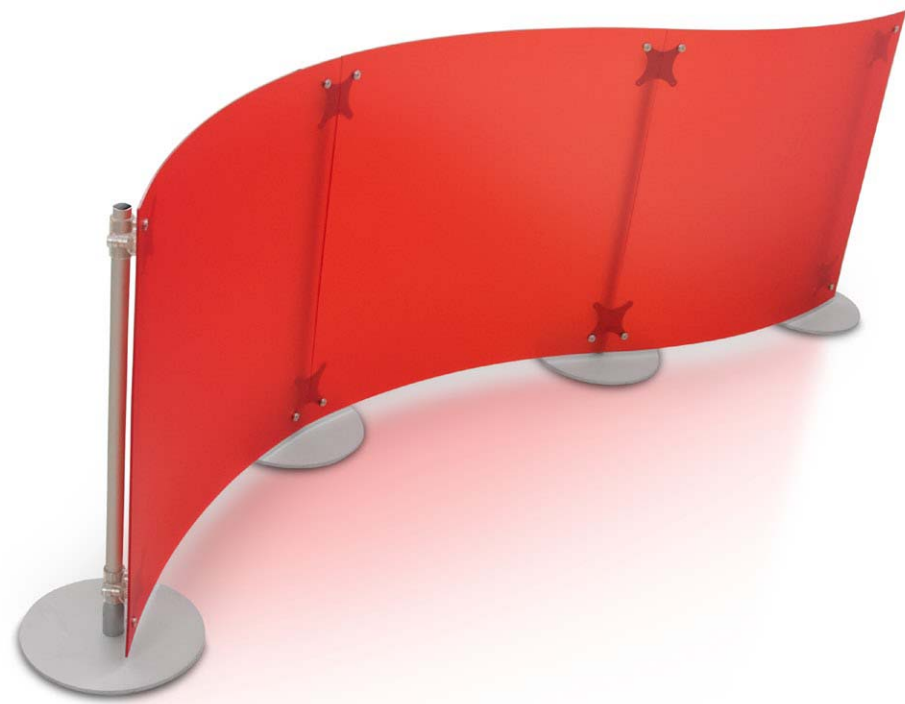


fluowall[®]







Fluowall is an innovative modular system suitable for creating partitions for environments, divider structures and backdrops. Modern, exclusive design, bright colours, curving shapes: thanks to these essential features, Fluowall dividers are capable of adding a touch of personality and originality to even the simplest and most anonymous space in just a few moments.

Fluowall è un innovativo sistema modulare adatto a creare partizioni per ambienti, strutture divisorie e fondali. Grazie al design esclusivo, i divisori Fluowall sono in grado di dare carattere e originalità anche allo spazio più semplice e anonimo.



Two types of installation are available: self-supporting or floor-to-ceiling. In the first case, the vertical poles are equipped with circular steel bases. Self-supporting installation is recommended for temporary or travelling displays or wherever it is necessary to create structures which can be disassembled and repositioned easily.

Sono previste due tipologie di installazione: autoportante e pavimento-soffitto. L'installazione autoportante è consigliata per applicazioni temporanee o itineranti, in quanto le strutture possono essere spostate facilmente.



In the floor-to-ceiling installation, adjustable telescopic poles are used to fix between the floor and the ceiling. In this case, the configurations are semi-permanent.

Nell'installazione pavimento-soffitto, si utilizzano invece montanti telescopici regolabili. Le composizioni hanno in questo caso carattere semi-permanente.

INSTALLATION

ASSEMBLY

The assembly is easy and quick and allows you to realize in no time partition walls in different fashions and dimensions.

L'installazione, semplice e veloce, consente di creare in pochi istanti divisori in varie forme e misure.



Fix all the vertical uprights to the steel round bases.
Fissare i montanti verticali alle basi circolari in acciaio.



Put the panel in the right position.
Mettere il pannello in posizione.

Fix the panel to the spoked elements using an electric screwdriver.
Munirsi di avvitatore elettrico e fissare il pannello alle razze.





APPLICATIONS

SHOW-ROOM

Fluowall is an extremely versatile system, suitable for use both at home and in furnishings for stores, offices, showrooms and trade fair stands.

Fluowall è un sistema versatile, adatto ad essere utilizzato sia nell'ambiente domestico che in arredamenti commerciali, uffici, showroom e stand fieristici.



OFFICE

HOME

RECEPTION





TRANSPARENT
TRASPARENTE

MATT WHITE
BIANCO OPACO

MATT GREEN LIME
VERDE LIME OPACO

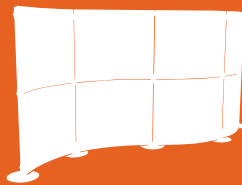
MATT ORANGE
ARANCIONE OPACO

MATT RED
ROSSO OPACO

MATT MAGENTA
MAGENTA OPACO

COLOURS



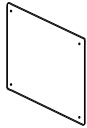


Witteveen Projectinrichting
Ouderkerk a/d Amstel
Tel: 020 - 496 5030
Fax: 020 - 496 3052
info@witteveen.nl
www.project-inrichting.nl

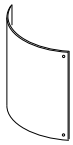
paxton

PAXTON SRL VIA DELLE INDUSTRIE, 2 - 26862 GUARDAMIGLIO (LO) ITALY TEL:+39 0377-51209
FAX:+39 0377-451114 WEB: WWW.PAXTON.IT


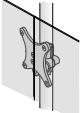

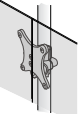
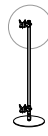
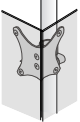
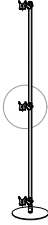

Straight Panels / Pannelli piani

Code/ Codice		Description /Descrizione	Dim l.xh. Dim l.xh. mm.	Material/ Materiale	Colour / Colore	Finishing/ Finitura
<input checked="" type="checkbox"/> FWPP100TR		Straight panel Pannello piano	980x980	PMMA	Transparent/ Trasparente	Transparent / Trasparente
<input type="checkbox"/> FWPP100WF					White frosted/ Bianco Satinato	Matt on both sides/ Bisatinata
<input type="checkbox"/> FWPP100LG					Lime Green / Verde Lime	
<input type="checkbox"/> FWPP100AR					Orange / Arancio	
<input type="checkbox"/> FWPP100RD					Red / Rosso	
<input type="checkbox"/> FWPP100MG					Magenta	

Curved Panels / Pannelli curvi

Code/ Codice		Description /Descrizione	Dim l.xh. Dim l.xh. mm.	Material/ Materiale	Colour / Colore	Finishing/ Finitura
<input type="checkbox"/> FWPN100WF		Curved panel Pannello curvo	980x980 (R=1300)	PMMA	White frosted/ Bianco Satinato	Matt on both sides/ Bisatinata
<input type="checkbox"/> FWPN100RD					Red / Rosso	
<input type="checkbox"/> FWPN100MG					Magenta	

SELF STANDING POLES / MONTANTI VERTICALI AUTOPORTANTI

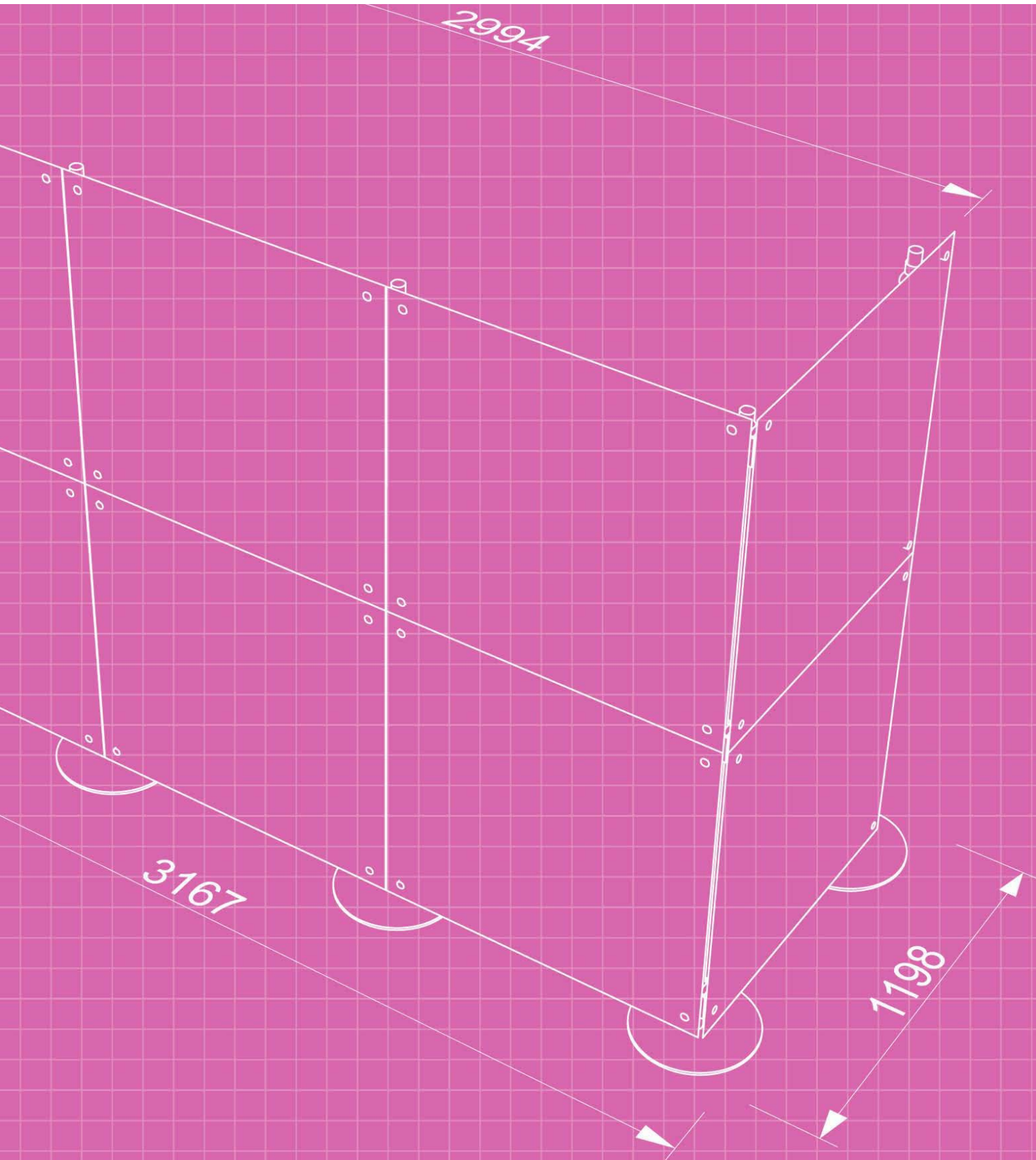
Code/ Codice		Description /Descrizione	Dimens. (mm) øxH. / øxH.	
PL100ALM		 Flat spider / Razza piana	Self standing pole with flat spider Palo autoportante con razza piana	Ø 34 x 1000 (base ø365 mm)
PL200ALM		 Flat spider / Razza piana		Ø 34 x 2000 (base ø365 mm)
PZ100ALM		 Angled spider / Razza ad angolo	Self standing pole with angled spider Palo autoportante con razza ad angolo	Ø 34 x 1000 (base ø365 mm)
PZ200ALM		 Angled spider / Razza ad angolo		Ø 34 x 2000 (base ø365 mm)

FLOOR-TO-CEILING POLES / MONTANTI TELESCOPICI PAVIMENTO-SOFFITTO

Code/ Codice		Description /Descrizione	Dimens. (mm) øxH. / øxH
TBRZALS200		<p><i>Floor-to-ceiling pole, with flat spider</i> Palo estensibile pavimento-soffitto con razza piana</p>	ø34 x H 2120-2550
TBRZALS250			ø34 x H 2620-3060
TBRZALS300			ø34 x H 3120-3400
Code/ Codice		Description /Descrizione	Dimens. (mm) øxH. / øxH
TBZZALS200		<p><i>Floor-to-ceiling pole, with angled spider</i> Palo estensibile pavimento-soffitto con razza ad angolo</p>	ø34 x H 2120-2550
TBZZALS250			ø34 x H 2620-3060
TBZZALS300			ø34 x H 3120-3400



Witteveen Projectinrichting
 Ouderkerk a/d Amstel
 Tel: 020 - 496 5030
 Fax: 020 - 496 3052
 info@witteveen.nl
 www.project-inrichting.nl



Witteveen
Project-Inrichting.nl

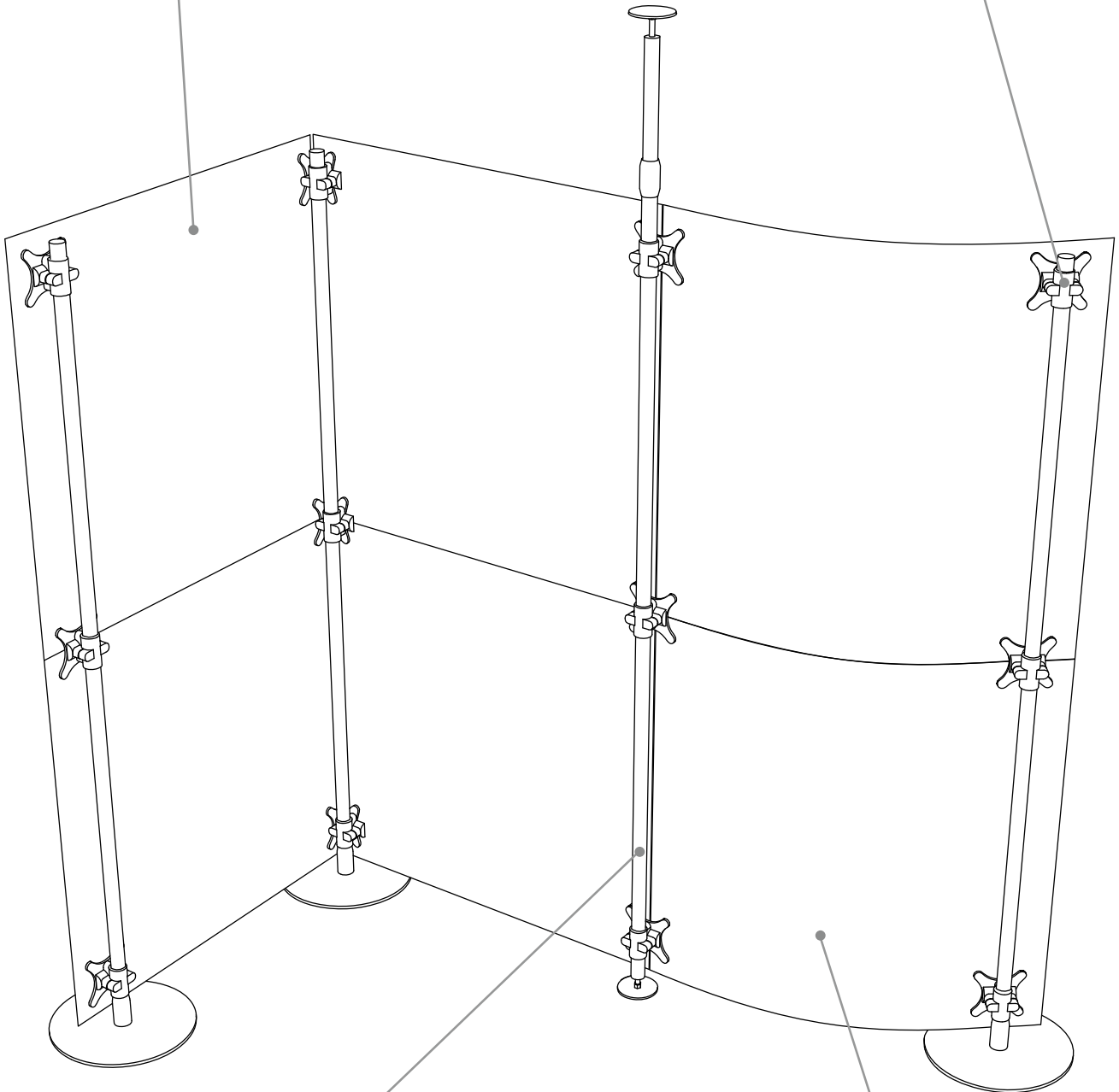
fluowall[®]

TECHNICAL SPECS

The System

Straight acrylic panel.

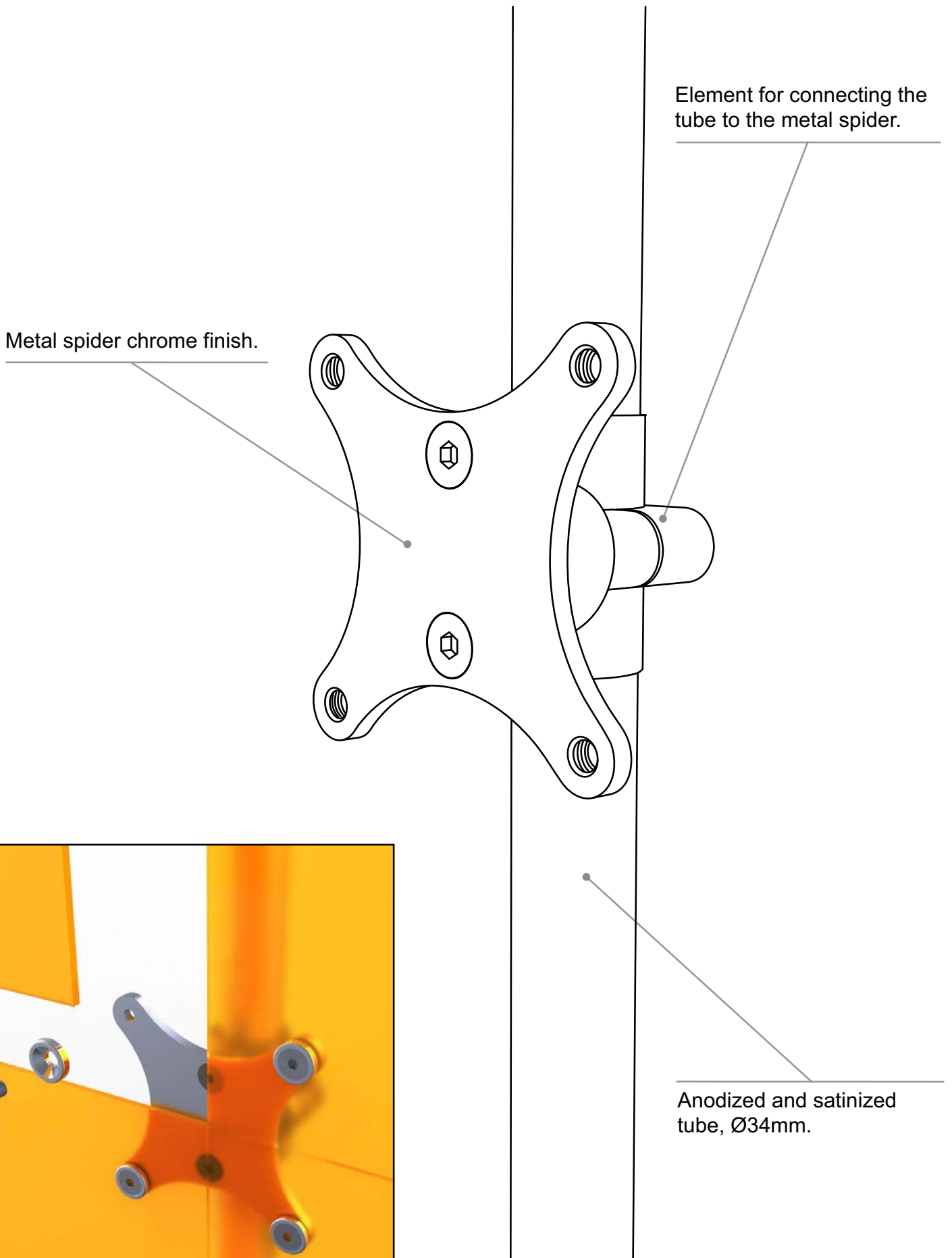
Self standing pole.



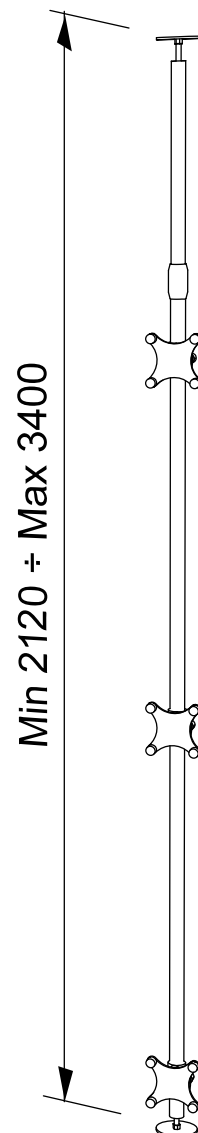
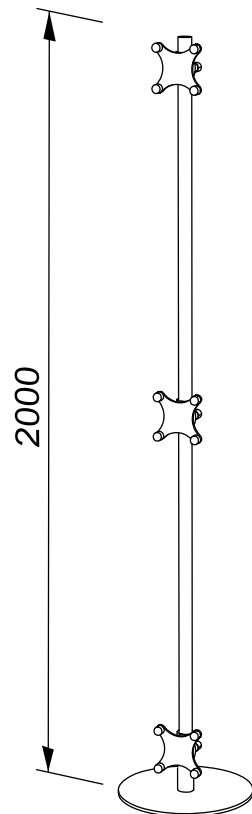
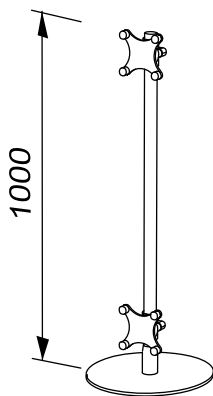
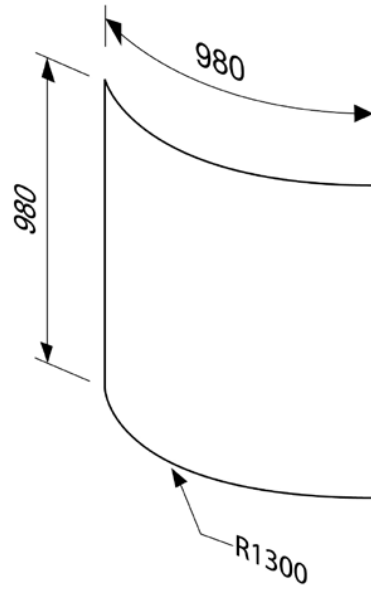
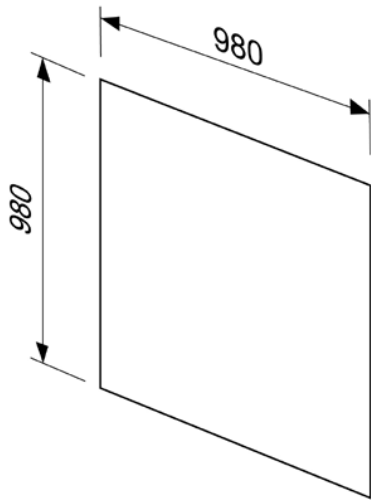
Extensible pole.

Curved acrylic panel.

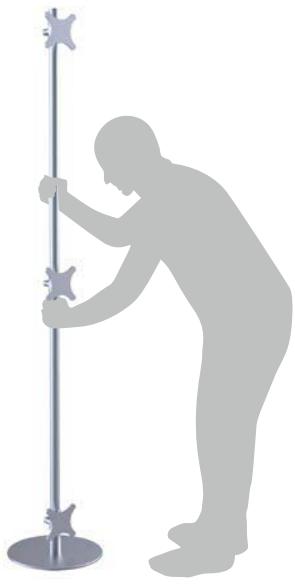
The System



Dimensions



Installation



Fix all the vertical uprights to the steel round bases.



Put the panel in the right position.

The assembly is easy and quick and allows you to realize in no time partition walls in different fashions and dimensions.



Fix the panel to the metal spiders using an electric screwdriver.

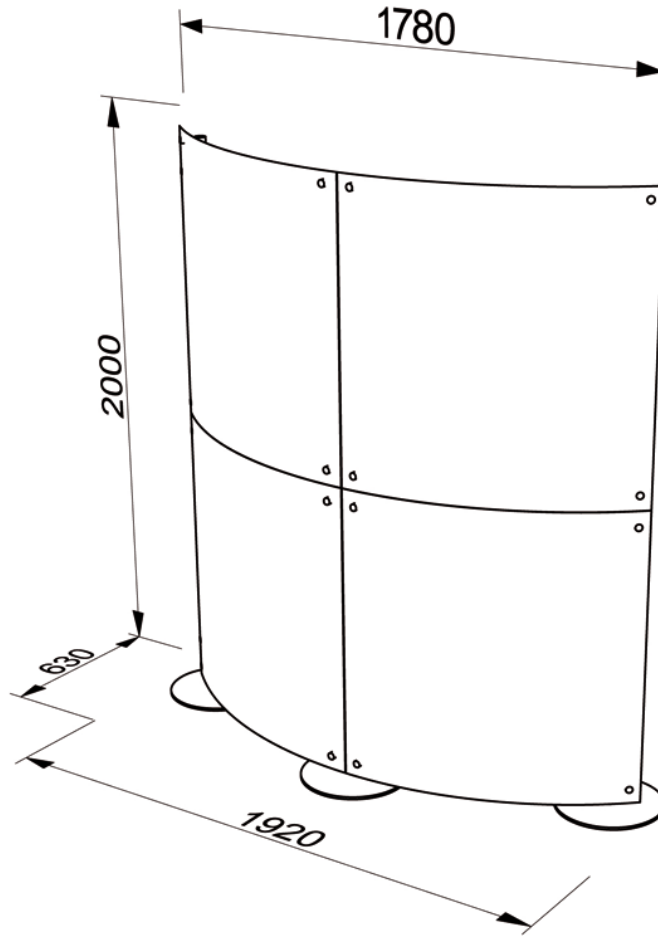


FLOOR-TO-CEILING - Example of installation using extensible poles.

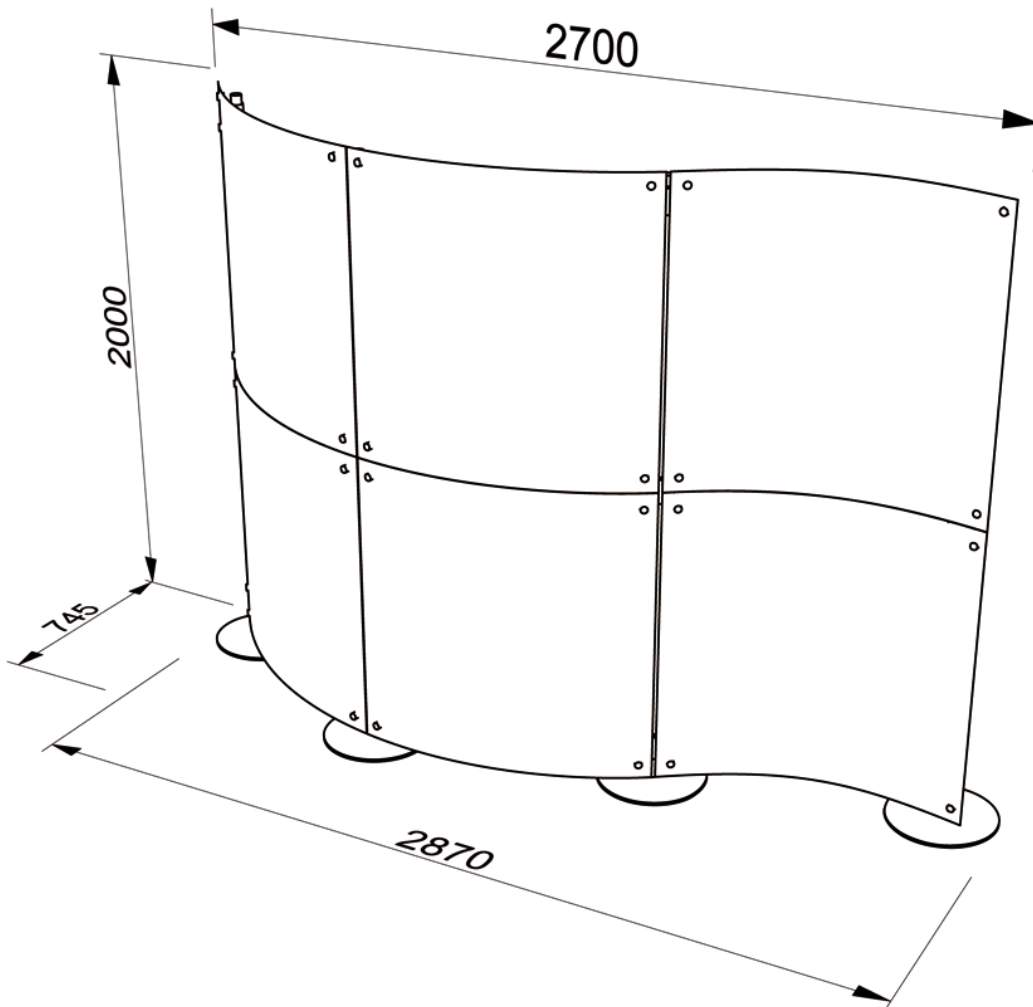


SELF STANDING - Example of installation using self standing poles.

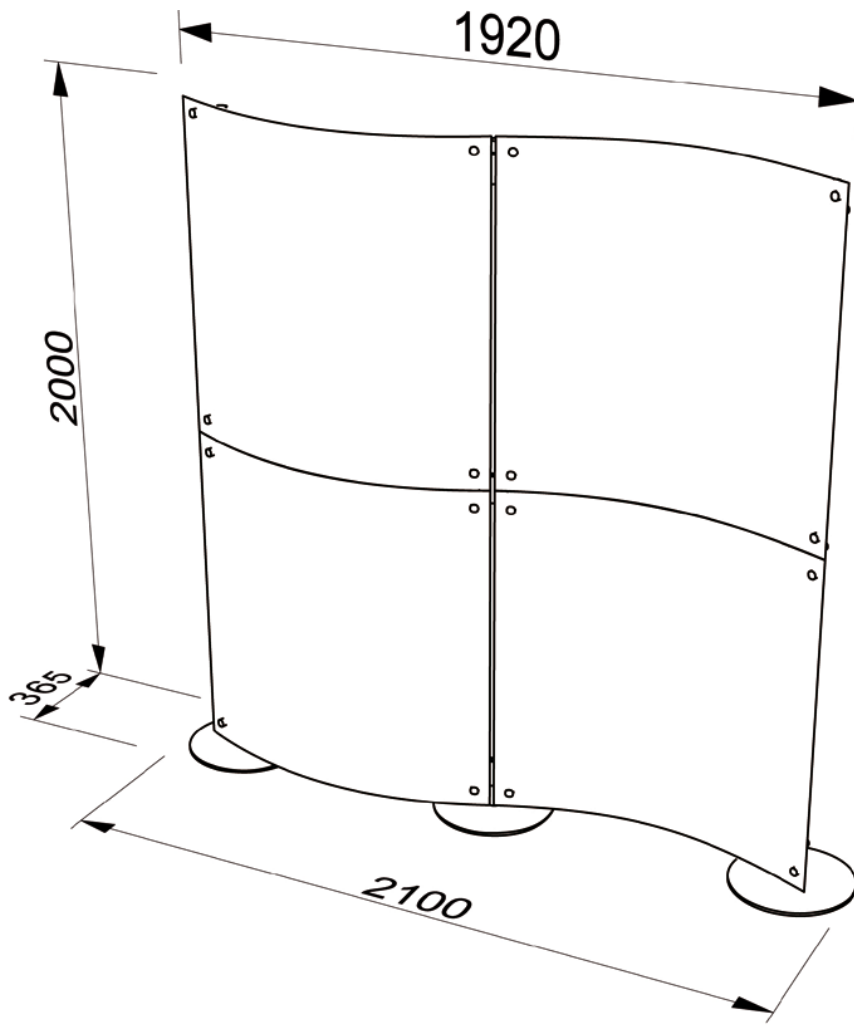
01



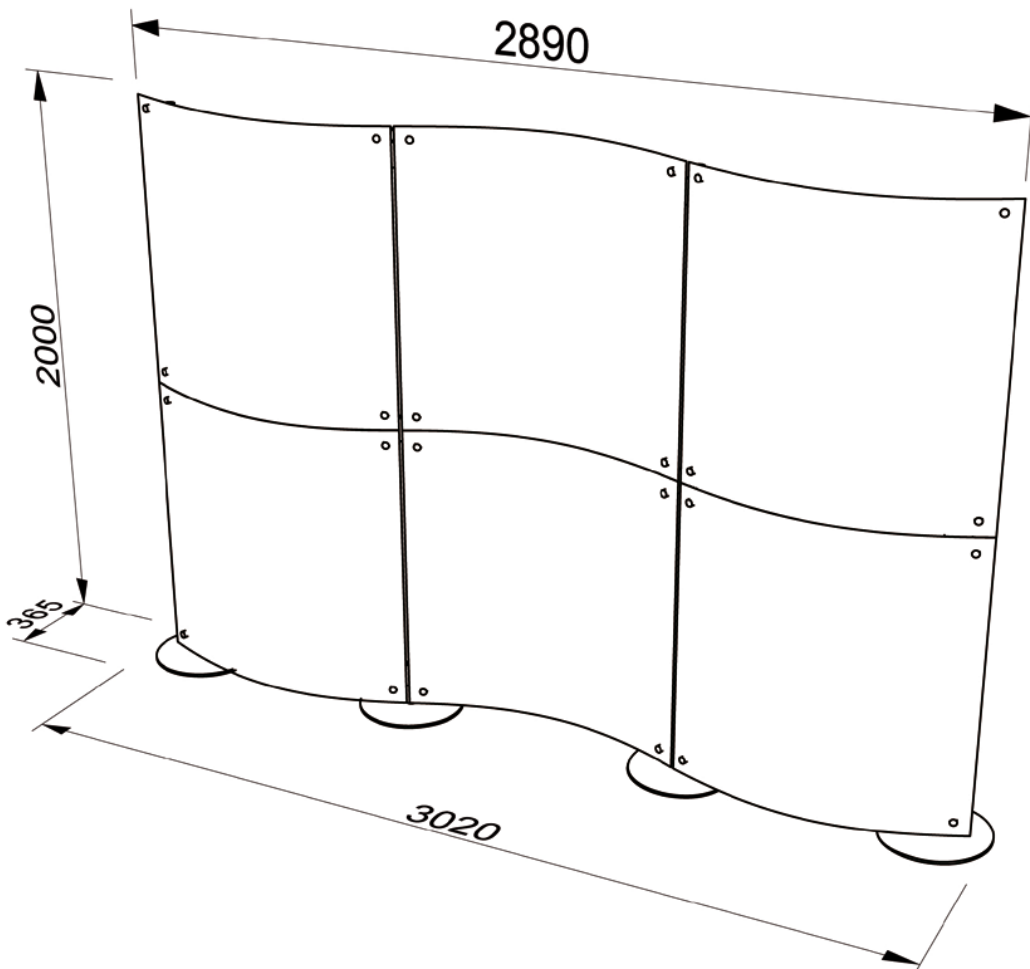
02



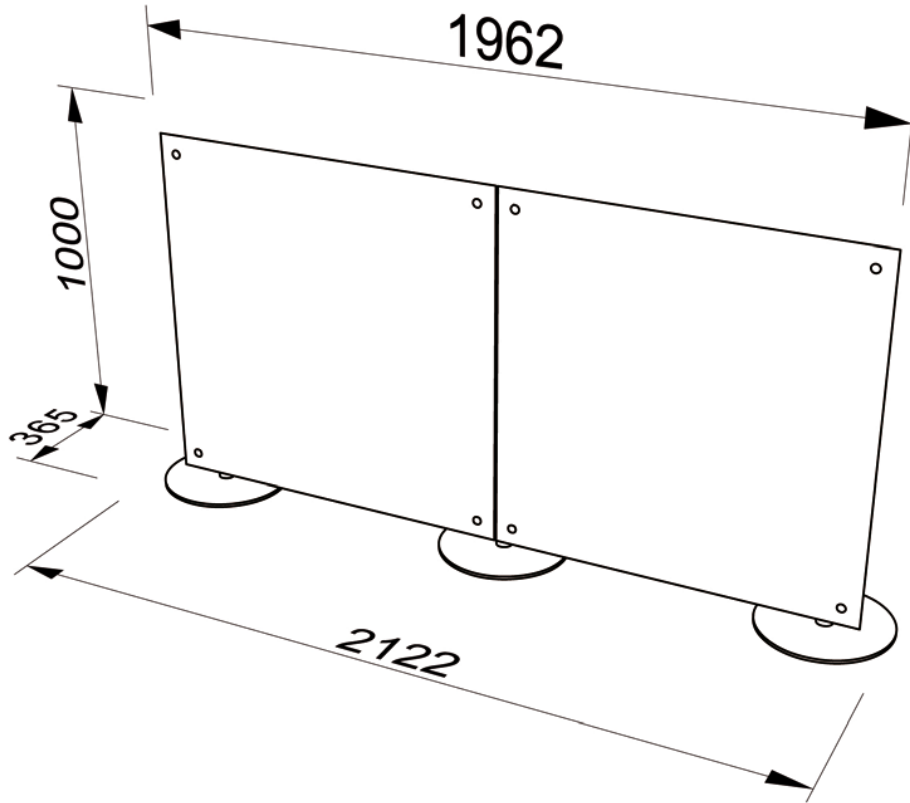
03



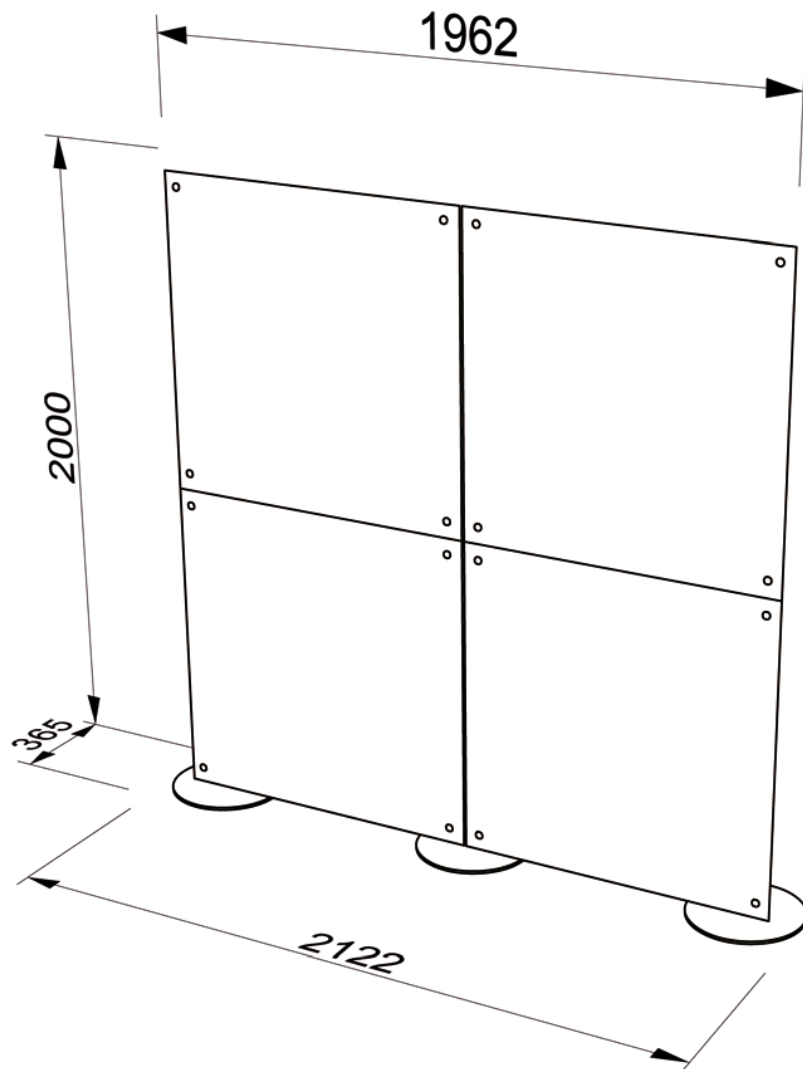
04



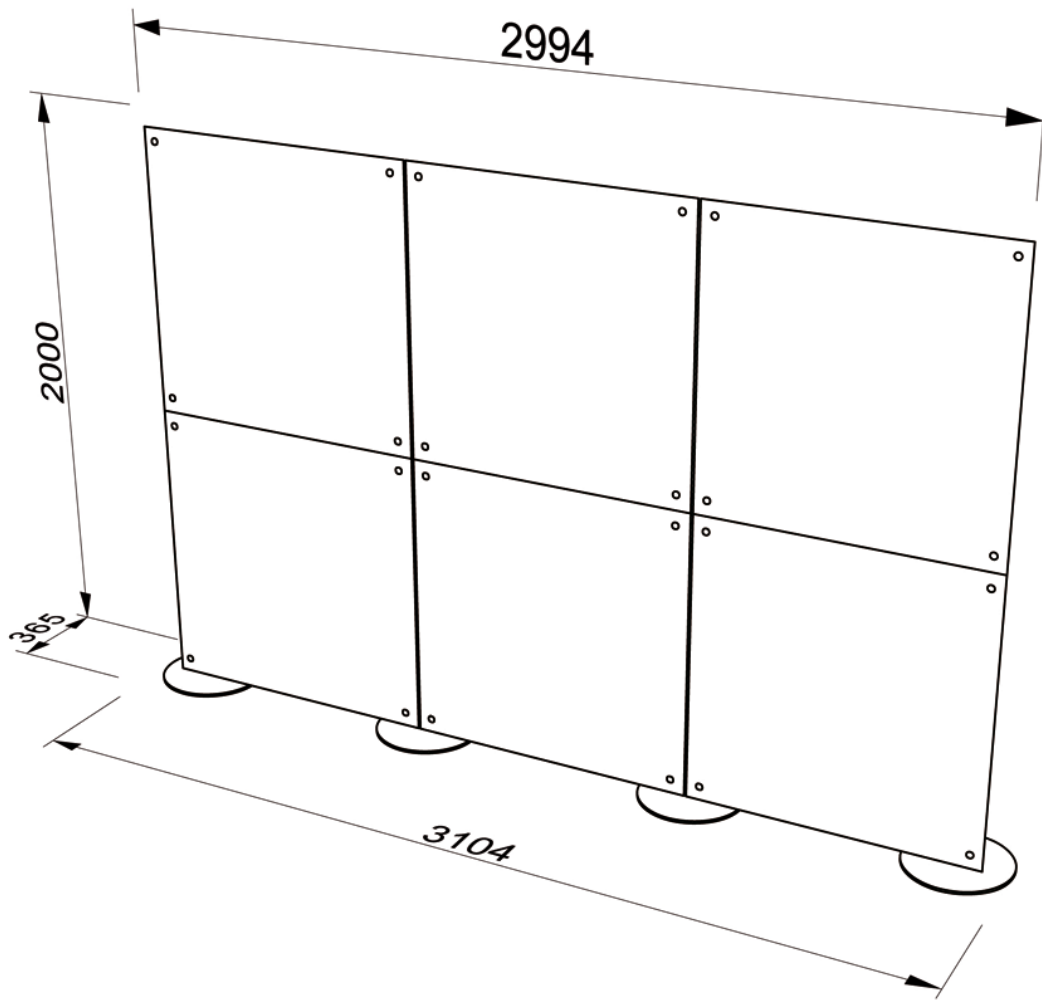
05



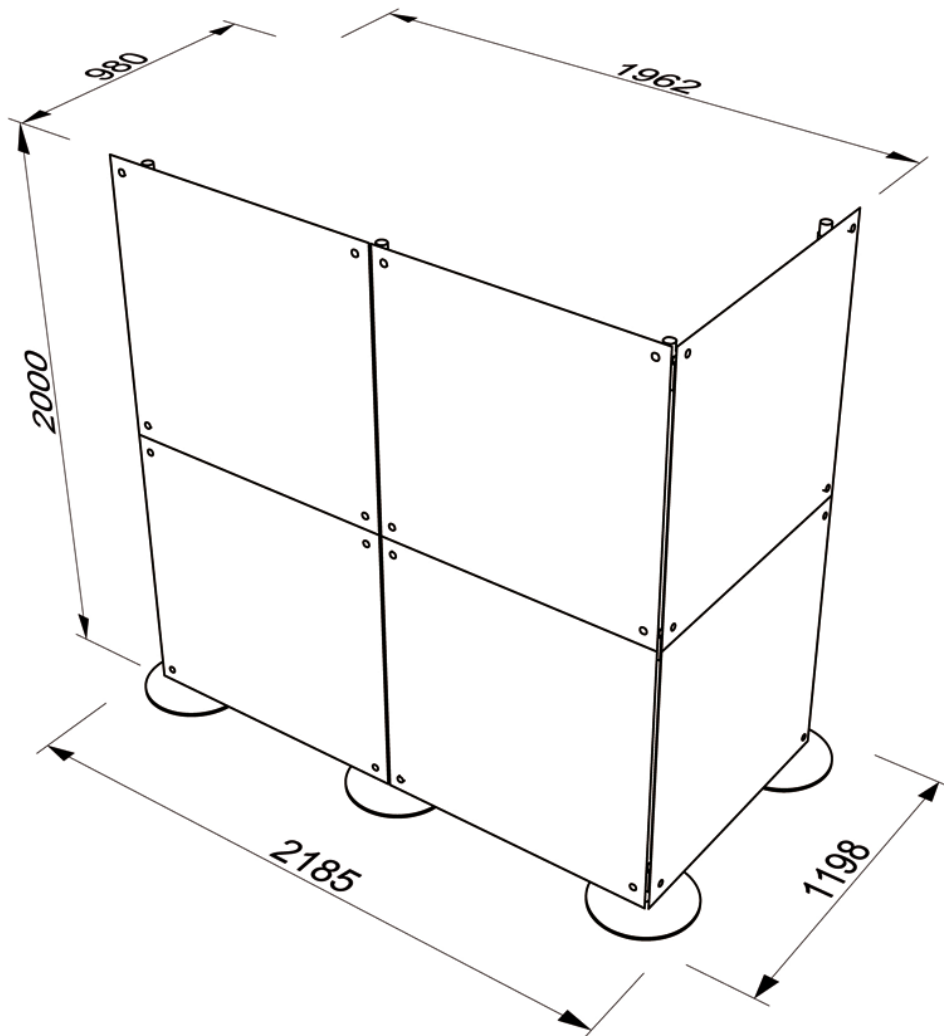
06

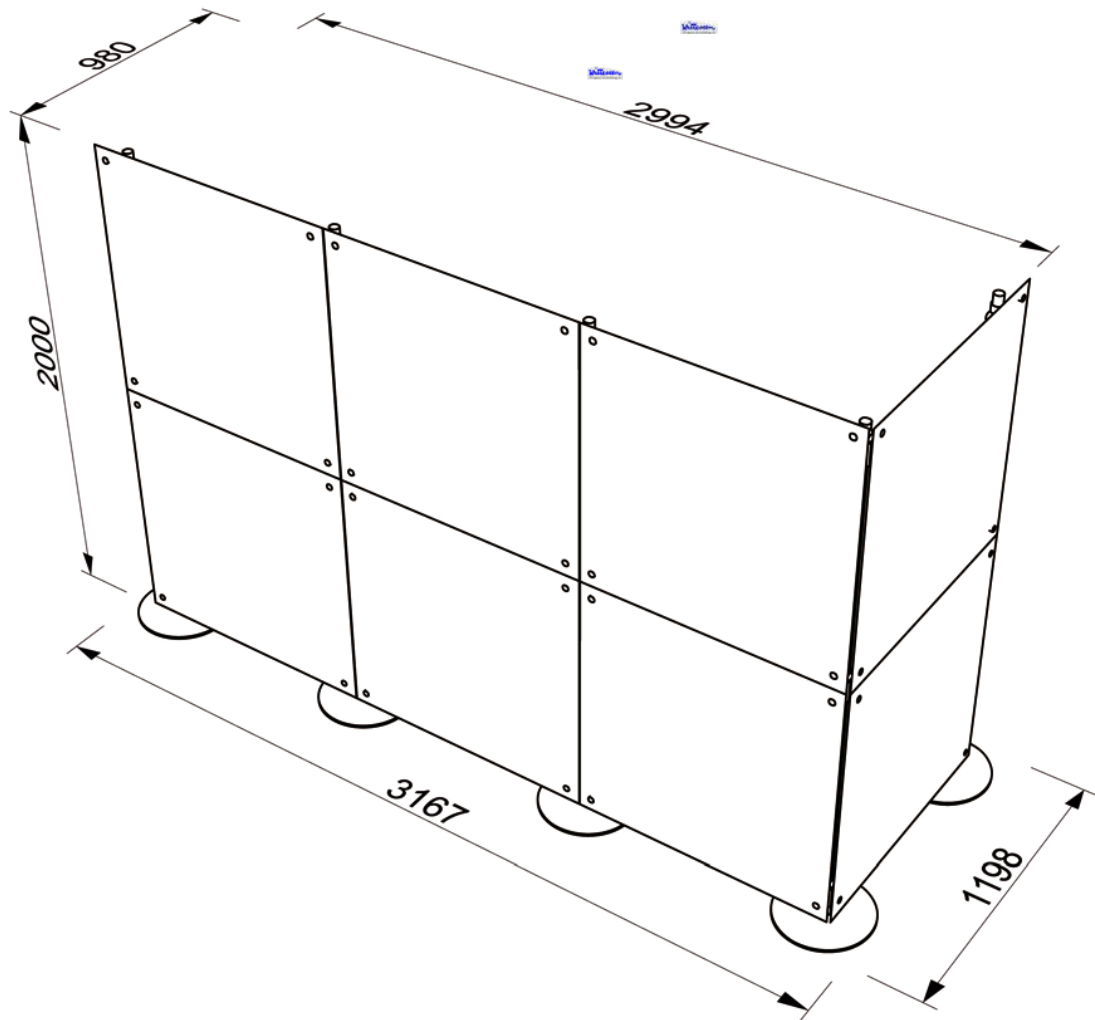


07



08





Witteveen Projectinrichting
Ouderkerk a/d Amstel
Tel: 020 - 496 5030
Fax: 020 - 496 3052
info@witteveen.nl
www.project-inrichting.nl

fluowall®

TECHNICAL SPECS

FLUOWALL is a product by:
Paxton Srl, Via delle Industrie, 2 - 26862 Guardamiglio (LO) - Italy
Tel +39 0377 51209 Fax +39 0377 451114
www.paxton.it - info@paxton.it
FLUOWALL is covered by international patents