

AK 3+4

PET Felt Workplace Divider



Design De Vorm

Claim your own space with the AK 3 and AK 4 room dividers, with distinction in height. Both can be hung horizontally — or stand vertically. Ideal way to create different workplaces and workspaces.



DeVorm

Specifications

Material

Two layers of furniture PET Felt with sound absorbing PET felt in between

Legs

Powder coated steel

Standard colour options

Light grey, Dark grey

Custom colour options

Olive, Marine, Green, Dark Green, Brown, Beige, Pink, Turquoise, Yellow

Versions

Room Divider Stand, Workplace Divider Stand, Horizontal Hanging Fixture, Vertical Hanging Fixture

Ingredients

Recycled PET bottles

Sound absorbing PET Felt

Powder coated steel

HDPE Glider (Room Divider)

PET Felt

PET Felt is made of recycled bottles which are turned into a soft, though strong Felt material, which is long lasting, UV stabilized and has great acoustic performance. PET Felt is both recycled as well as recyclable itself.

Martindale	Pilling
100.000	3/4

Note

PET Felt is made of recycled material. Different products may have different outcomes in the colour blend.

Sound absorption

Very good sound absorption at the source, good absorption in the low frequency range such as vocal sounds.

Customize the colour

Choose from our 11 different colour blends.

The options are there to make it blend in or stand out in any context.





Horizontal Hanging Fixture



Workplace Divider Stand



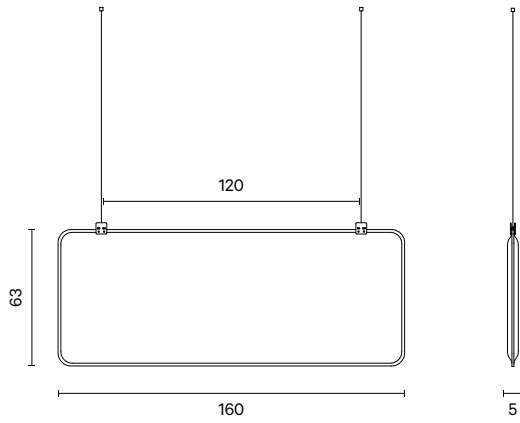
Vertical Hanging Fixture



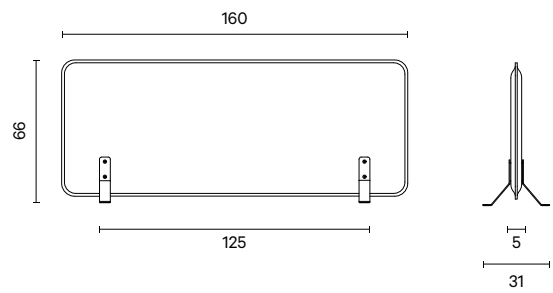
Room Divider Stand

Measurements AK 3

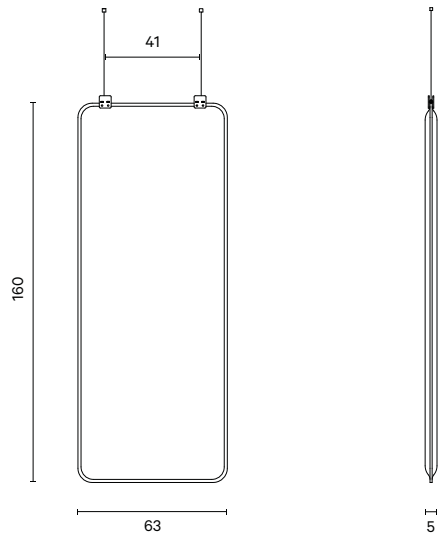
AK 3 Horizontal Hanging Fixture



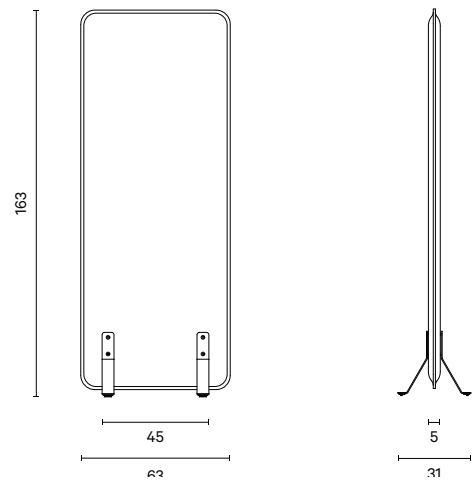
AK 3 Workplace Divider Stand



AK 3 Vertical Hanging Fixture



AK 3 Room Divider Stand

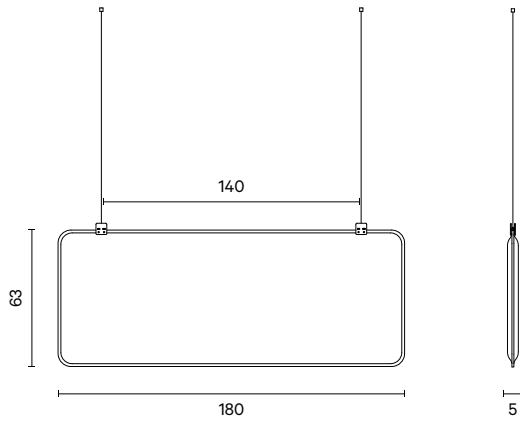


Weight without legs – 8,3 kg

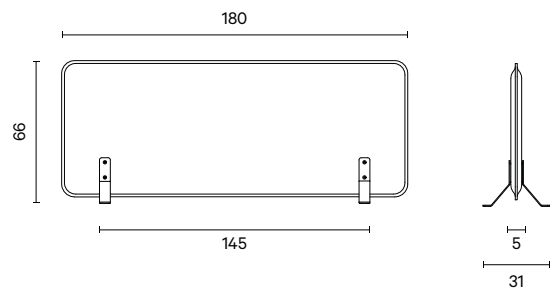
Weight with legs – 11 kg

Measurements AK 4

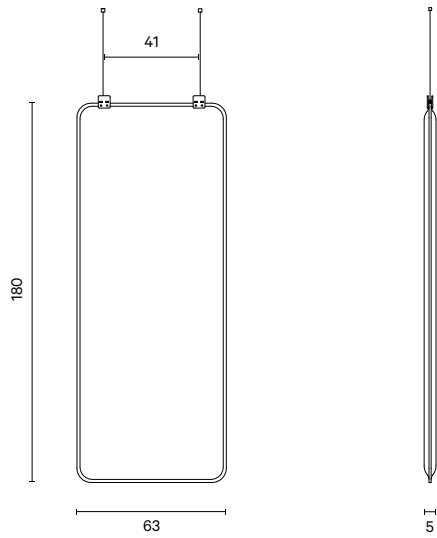
AK 4 Horizontal Hanging Fixture



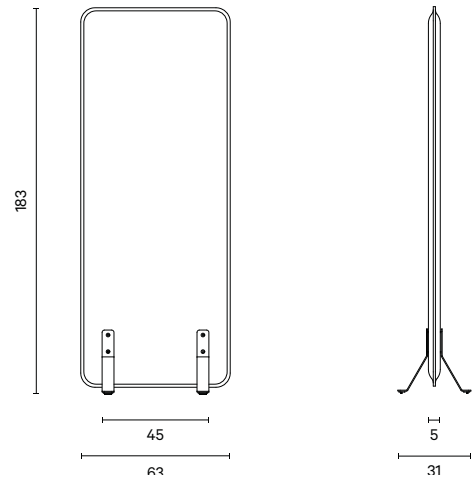
AK 4 Workplace Divider Stand



AK 4 Vertical Hanging Fixture



AK 4 Room Divider Stand



Weight without legs – 9,3 kg

Weight with legs – 12 kg

We create interior products by today's standards

De Vorm is established in a new era, we develop products by the standards of today. This means we produce efficiently, use the full lifecycle of products and eventually give them a new life.

Our emphasis lies on making a product that works, by setting a variety of conditions; it should be legible, accessible, but also environmental friendly and aesthetically perfectly in balance.

We like a product because of its functionality

A good product makes life easier — it should be developed for helping us function better throughout the day. We firmly believe that the beauty of a design lies in the sum of functions that makes it a complete product.

We continuously raise the bar

From the very first sketches we start combining and developing new techniques to find new possibilities to innovate. Our design process is infused with technical development; techniques result in aesthetic features and the other way round.

Leemansweg 45
6827 BX Arnhem
The Netherlands

T +31(0) 268 200 360
E info@devorm.nl
W devorm.nl



Witteveen Projectinrichting
Ouderkerk a/d Amstel
Tel: 020 - 496 5030
info@witteveen.nl
www.scheidingswand.net
www.project-inrichting.nl