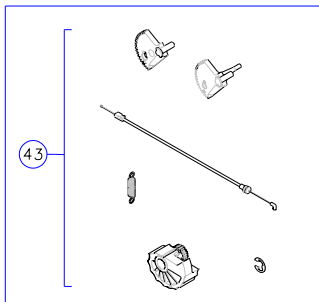
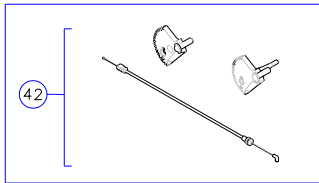
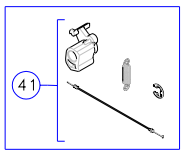
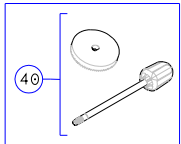
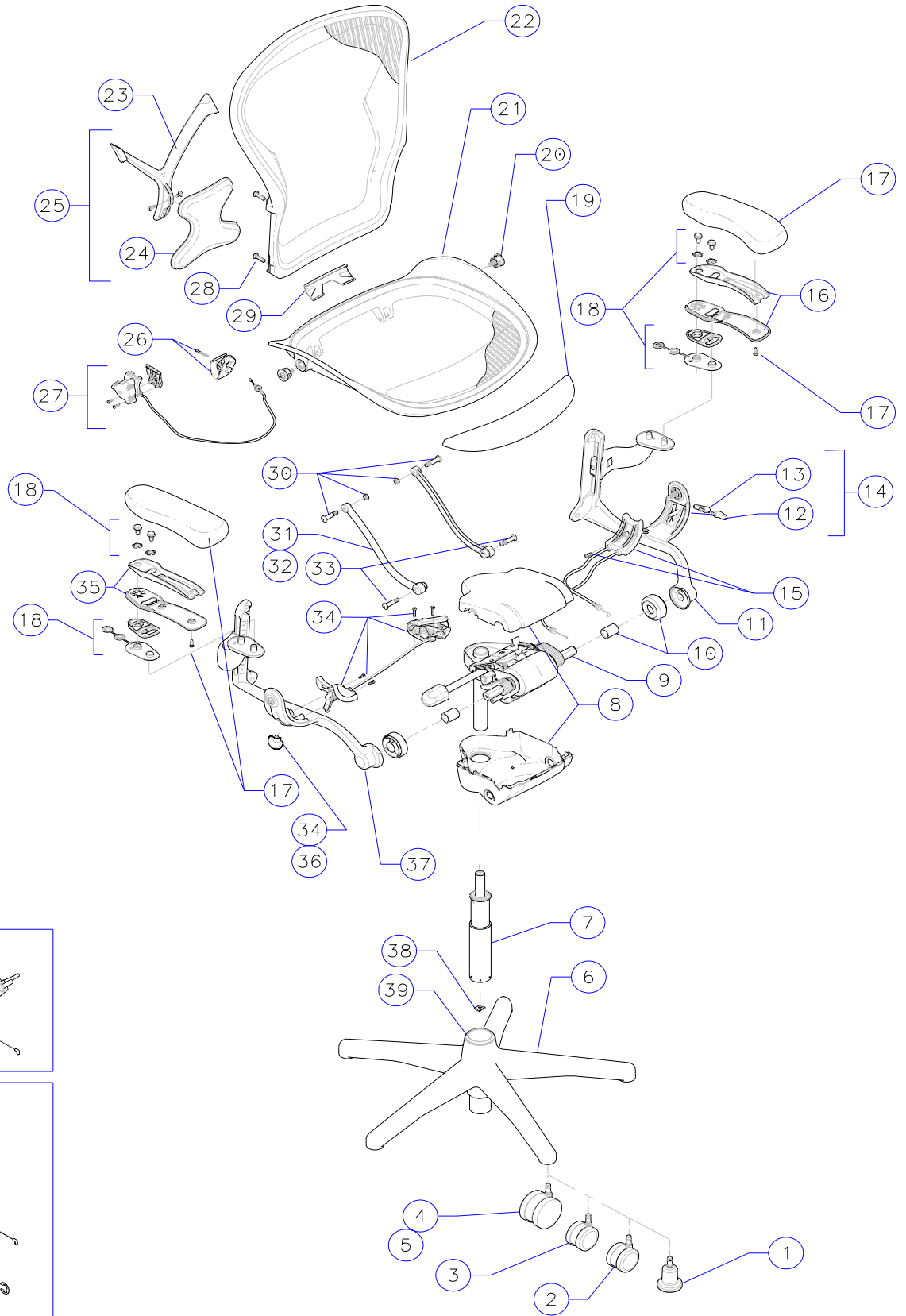


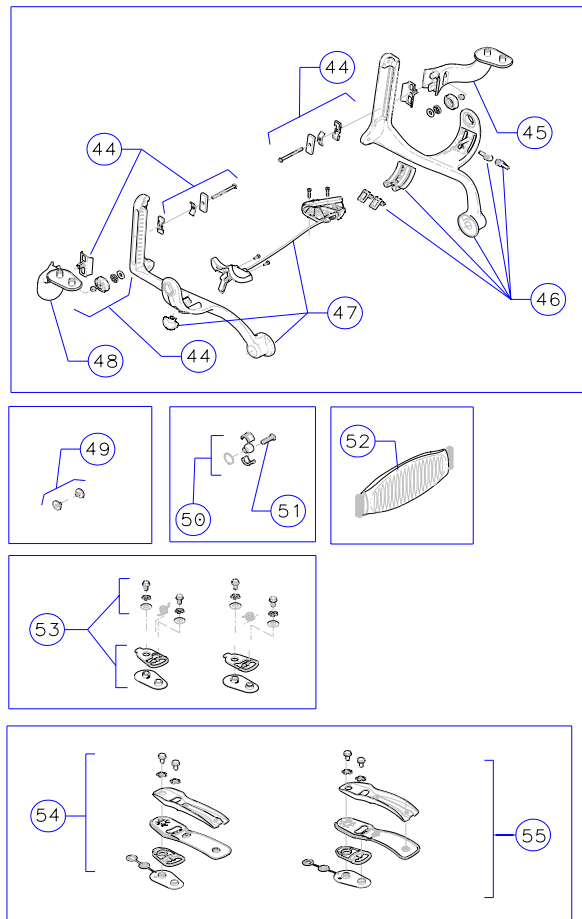
Aeron® Chairs
 Work Chair, Two-Stage Pneumatic, Tilt Limiter & Seat Angle, Fully
 Adjustable Arms

AU123APA
 AU123APB
 AU123APC
 AU123AFA
 AU123AFB
 AU123AFC
 AU123AWA
 AU123AWB
 AU123AWC



Aeron® Chairs
Work Chair, Two-Stage Pneumatic, Tilt Limiter & Seat Angle, Fully
Adjustable Arms

- AU123APA
- AU123APB
- AU123APC
- AU123AFA
- AU123AFB
- AU123AFC
- AU123AWA
- AU123AWB
- AU123AWC



Old Style Service Parts

Aeron® Chairs Work Chair, Two-Stage Pneumatic, Tilt Limiter & Seat Angle, Fully Adjustable Arms

AU123APA

AU123APB

AU123APC

AU123AFA

AU123AFB

AU123AFC

AU123AWA

AU123AWB

AU123AWC

item	part number	description	total quantity								
			AU123APA	AU123APB	AU123APC	AU123AFA	AU123AFB	AU123AFC	AU123AWA	AU123AWB	AU123AWC
1	241671	glide (GF)	5	5	5	5	5	5	5	5	5
2	241670	soft caster (C7)									
	242824	soft braking caster (C9)									
3	234429	hard caster (BB)									
	242825	hard braking caster (C8)									
4	248283	3" hard caster (BX)									
5	248282	3" soft caster (DX)									
6	241672-*	a size, base (note 1)	1			1			1		
	241673-*	b & c size, base (note 1)		1	1		1	1		1	1
7	254501	b & c size, pneumatic cartridge		1	1		1	1		1	1
	253291-1	a size, pneumatic cartridge	1			1			1		
8	241687-**	tilt covers (includes fasteners)	1	1	1	1	1	1	1	1	1
9	UAE00G	"A" tilt (includes item 33)(note 4)	1			1			1		
	UAE00H	"B" tilt (includes item 33)(note 4)		1			1			1	
	UAE00J	"C" tilt (includes item 33)(note 4)			1			1			1
10	242966-**	tilt spacer	1			1			1		
	241776-**	tilt spacer		1			1			1	
	241777-**	tilt spacer			1			1			1
11	UAE01G-*	lh swing arm/arm yoke (includes item 15,20)(note 1)	1	1	1	1	1	1	1	1	1
12	UAE00Z	forward tilt knob and lever (for prod mfr after 9-18-02 to 8-23-04)(note 4)	1	1	1	1	1	1	1	1	1
13	UAE00Y	tilt limiter knob and lever (for prod mfr after 9-18-02 to 8-23-04)(note 4)	1	1	1	1	1	1	1	1	1
14	UAE017	tlt lmtr & frwd tlt knb/lvr & inner hsg (for prod used prior to 8-23-04)(note 4)	1	1	1	1	1	1	1	1	1
15	UAE00X	tilt tvl limiter & fwd tilt cable w/ctrl (includes item 12-13)(note 4,7)	1	1	1	1	1	1	1	1	1
16	UAE009	lh arm pad support (note 1)(note 3)	1	1	1	1	1	1	1	1	1
17	255410	arm pad pair w/vinyl cover (includes fstnrs)(note 5)	1	1	1	1	1	1	1	1	1
	255411-1	arm pad pair w/fabric cover (specify cover opt.)(includes fstnrs)									
	255411-2	arm pad pair w/leather cover (specify cover opt.)(includes fstnrs)									
	255411-3	arm pad pair w/knit cover (specify cover opt.)(includes fstnrs)									
18	UAE008	arm index hardware set (for prod mfr after 10-17-02)	2	2	2	2	2	2	2	2	2
19	241726	a/b size, seat foam insert	1	1		1	1		1	1	
	242748	c size, seat foam insert			1			1			1
20	UAE00M	hip pivot bearing/fastener (specify for BK version)(qty. 2)	1	1	1	1	1	1	1	1	1

Aeron® Chairs Work Chair, Two-Stage Pneumatic, Tilt Limiter & Seat Angle, Fully Adjustable Arms

AU123APA

AU123APB

AU123APC

AU123AFA

AU123AFB

AU123AFC

AU123AWA

AU123AWB

AU123AWC

item	part number	description	total quantity								
			AU123APA	AU123APB	AU123APC	AU123AFA	AU123AFB	AU123AFC	AU123AWA	AU123AWB	AU123AWC
21	241723-**	a size, seat frame (includes item 19)(note 2)	1			1			1		
	241724-**	b size, seat frame (includes item 19)(note 2)		1			1			1	
	241725-**	c size, seat frame (includes item 19)(note 2)			1			1			1
22	241728-**	a size, back frame (note 2)	1			1			1		
	241729-**	b size, back frame (note 2)		1			1			1	
	241730-**	c size, back frame (note 2)			1			1			1
23	UAE00P-***	wishbone	1			1			1		
	UAE010-***	wishbone		1			1			1	
	AE905B	wishbone (for product manufactured before 3-16-04)									
	UAE011-***	wishbone			1			1			1
24	UAE00Q-***	support pad	1	1	1	1	1	1	1	1	1
25	UAE01C-***	wishbone/support pad assembly	1			1			1		
	UAE013-***	wishbone/support pad assembly		1			1			1	
	AE905B	wishbone/support pad assembly (for product manuf before 3-16-04)									
	UAE014-***	wishbone/support pad assembly			1			1			1
26	UAE00T-***	control anchor	1			1			1		
	UAE015-***	control anchor		1			1			1	
	UAE018-***	control anchor			1			1			1
27	UAE012-***	control assembly	1	1	1	1	1	1	1	1	1
	AE905B	control assembly (for product manufactured before 3-16-04)									
28	241731-☆	back mounting hardware (qty. 4)	1	1	1	1	1	1	1	1	1
29	UAE01V-***	a size, seat frame applique	1			1			1		
	UAE01T-***	b size, seat frame applique		1			1			1	
	UAE01M-***	c size, seat frame applique			1			1			1
30	241705-☆	rear seat link mounting hardware	1	1	1	1	1	1	1	1	1
31	241702-*	rh seat link (note 1)	1	1	1	1	1	1	1	1	1
32	241703-*	lh seat link (note 1)	1	1	1	1	1	1	1	1	1
33	241704-☆	front seat link mounting hardware	1	1	1	1	1	1	1	1	1
34	UAE00K	pneumatic cable assy (includes fasteners)(note 4)	1	1	1	1	1	1	1	1	1
35	UAE00B	rh arm pad support (note 3)	1	1	1	1	1	1	1	1	1
36	UAE00L	pneumatic control knob (used on product after 4-10-02)(note 4)	1	1	1	1	1	1	1	1	1
37	UAE01F-*	rh swing arm/arm yoke (includes item 20,33)(note 1)	1	1	1	1	1	1	1	1	1

Aeron® Chairs Work Chair, Two-Stage Pneumatic, Tilt Limiter & Seat Angle, Fully Adjustable Arms

- AU123APA
- AU123APB
- AU123APC
- AU123AFA
- AU123AFB
- AU123AFC
- AU123AWA
- AU123AWB
- AU123AWC

item	part number	description	total quantity									
			AU123APA	AU123APB	AU123APC	AU123AFA	AU123AFB	AU123AFC	AU123AWA	AU123AWB	AU123AWC	
38	239235	pneumatic clip (qty. 6)	1	1	1	1	1	1	1	1	1	1
39	251577	trim bushing	1			1					1	
	251578	trim bushing		1	1		1	1				1
40	244735	bevel gear/t-shaft (note 4)	1	1	1	1	1	1	1	1	1	1
41	244734	front limit cam	1	1	1	1	1	1	1	1	1	1
42	253818	sector gear and cable (qty 1)(for prod mfr before 8-23-04)	1	1	1	1	1	1	1	1	1	1
	253818-1	sector gear and cable (qty 12)(for prod mfr before 8-23-04)	1	1	1	1	1	1	1	1	1	1
43	244733	rear limit cam, sector gear & cable	1	1	1	1	1	1	1	1	1	1
44	241715	arm adjstmt hardware & bushings (for prod mfr before 7-08-04)(note 4)	2	2	2	2	2	2	2	2	2	2
45	241708-*	lh adjustable arm yoke (for prod mfr before 7-08-04)(note 1)	1	1	1	1	1	1	1	1	1	1
46	241698-*	lh swing arm (includes item 14,20) (for prod mfr before 7-08-04)(note 1)	1	1	1	1	1	1	1	1	1	1
47	241697-*	rh swing arm (includes item 20,33) (for prod mfr before 7-08-04)(note 1)	1	1	1	1	1	1	1	1	1	1
48	241707-*	rh adjustable arm yoke (for prod mfr before 7-08-04) (note 1)	1	1	1	1	1	1	1	1	1	1
49	241700	swing arm fastener (used on product mfr. before 9-16-96)	1	1	1	1	1	1	1	1	1	1
50	241701-S8	swing arm bearing set (for smoke)	1	1	1	1	1	1	1	1	1	1
51	241699-XT	seat frame fasteners (for titanium)	1	1	1	1	1	1	1	1	1	1
52	241732	a size, lumbar (note 5)	1			1				1		
	241733	b size, lumbar (note 5)		1			1				1	
	241734	c size, lumbar (note 5)			1			1				1
53	241716	arm index hardware set (used on product before 10-07-02)	1	1	1	1	1	1	1	1	1	1
54	241712-☆☆☆	rh arm pad support and index hardware (used for product before 10-07-02)	1	1	1	1	1	1	1	1	1	1
55	241713-☆☆☆	lh arm pad support and index hardware(used for product before 10-07-02)	1	1	1	1	1	1	1	1	1	1
56	253183	white bumper and set screw (qty 1)(not shown)	1	1	1	1	1	1	1	1	1	1
	251574	white bumpers and set screws (qty 12)(not shown)	1	1	1	1	1	1	1	1	1	1
57	254502	cylinder removal tools (not shown)	1	1	1	1	1	1	1	1	1	1
58	UAE00N	bearing set (qty 12)(not shown)	1	1	1	1	1	1	1	1	1	1

*-Specify G1(graphite)
M1(mica)
CD(polished alluminum)
XT(titanium)

Note 1: Specify for .06 fluid ounce touch-up paint with brush.
Touch-up paint covers for paint hue, not texture.

- 101507-38 (graphite)
- 101507-39 (mica)
- 101507-61 (titanium)

Aeron® Chairs
Work Chair, Two-Stage Pneumatic, Tilt Limiter & Seat Angle, Fully
Adjustable Arms

AU123APA

AU123APB

AU123APC

AU123AFA

AU123AFB

AU123AFC

AU123AWA

AU123AWB

AU123AWC

** -Specify G1(graphite)
M1(mica)
S8(smoke)

*** -Specify G1(graphite)
S8(smoke)

☆ -Specify BK(black umber)
XT(titanium)

☆☆ -Specify G1(graphite)
XT(titanium)

☆☆☆ -Specify G1(graphite)
CD(polished alluminum)
S8(smoke)

Note 2: Specify Pellicle material.

Note 3: Specify finish option:

G1(graphite)
CD(polished aluminum)
XT(smoke)

Note 4: Specify finish option:

G1(black)
XT(smoke)

Note 5: Specify finish option:

BK(black)
S8(smoke)

Note 6: Specify finish option:

WS(smoke)
ZB(graphite)

Witteveen Projectinrichting, Ouderkerk a/d Amstel
Tel: 020 - 4965030, fax: 020 - 496 3052, info@witteveen.nl
www.project-inrichting.nl + ergo-burostoel.nl + ergonomics.nl