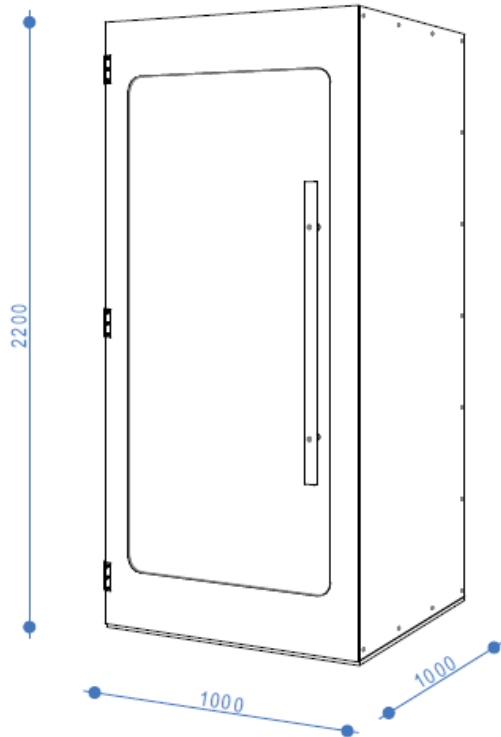


# Spec sheet - single booth



External dimensions	220 x 100 x 96 (cm) (height x width x depth)
Weight	312 kg
Interior and exterior walls material:	felt, 3 mm thick
Sound insulation	36 dB
Colour options:	light or dark colour option or extra colours of the felt paid additionally

## INTERNAL ELEMENTS

Ventilation	4 x silent fans with a total air flow of 495 m <sup>3</sup> /h (two in the ceiling and two in the floor), automatically activated by a motion detector, adjustable by a convenient knob
Shelf	Shelf with dimensions of 70 x 28 cm; mounted at a height of 110 cm; made of high quality oak plywood
Lighting	LED lighting is switched on automatically on motion detector
Glass doors with a magnetic locking system	doors made of 8 mm tempered glass; handle made of ash wood in the colour of natural oak
Sockets	1 x power socket 230 V + 2 x USB sockets

100% OF CONCENTRION, 0% OF NOISE  
 Comfortable, modular phone booth for 1 person. It doesn't take up much space and fits into any office interior. Provides perfect conditions for conducting phone calls or online meetings and performing tasks that require concentration.

**PERFECT MUTE**  
 Multilayer walls filled with an acoustic sponge and covered with felt provide excellent noise insulation at 36 dB.

**MODULAR CONSTRUCTION**  
 Patented modular construction provides easy and quick assmebly of the booth. It can be disassembled just as quickly in case of moving or renovation.

### COLOUR OPTIONS

- light: white enamel at the door + light gray felt on the external and internal walls + shelf in natural oak colour + handle in natural oak colour
- dark: black enamel at the door + dark gray felt on the external and internal walls + shelf in natural oak colour + handle in natural oak colour
- additional options: 20 colours of standard felt or 38 colours of natural wool felt (at extra charge)

Witteveen Projectinrichting, Ouderkerk a/d Amstel  
 Tel: 020 - 496 5030 info@witteveen.nl  
 www.telefooncel.info www.project-inrichting.nl