

Intuit Booth

Phonebooth

Design: Iseasi



Ditch the distractions with Booth.



5 YEAR
GUARANTEE



FIRE
RESISTANT
FABRICS



FIRE
RESISTANT
FOAM



GOOD SOUND-
ABSORBING
QUALITIES

AVAILABLE
AT
pCon
PLANNER

Deliver quiet with Booth

You need to make a call. But you'd rather the whole office didn't listen in. Booth provides a quiet oasis, so you can focus on your conversation, without distractions.

We saw an opportunity to make the basic phone booth a much more pleasant place to be. If you've spent time in cramped and claustrophobic phone booths before, you'll marvel at how Booth opens up the space. Its special trapezoid design enhances your cognitive comfort, while eliminating annoying echoes. And its rocking and rotating seat gives you room to move, without banging your elbows on the walls every 5 seconds.

Booth harnesses technology and design to provide an intuitive space for your special task. With sound absorbing upholstery and acoustic panels, Booth dampens noise from every direction. Its motion sensor fresh air ventilation system and adjustable LED lighting help you create exactly the environment you work well in. While its wheels mean you can relocate it to anywhere in your office.

Designed for the Concentration Zone:

- Enjoy a room that feels bigger on the inside
- Take calls without disturbing your team
- Find the peace you need



Concentration Zone



Witteveen Projectinrichting, Ouderkerk a/d Amstel
Tel: 020 - 496 5030 info@witteveen.nl
www.scheidingswand.net www.telefooncel.info
www.project-inrichting.nl

Cover materials

Outside: Soft upholstered wall panels and interior ceiling panel covered with certified acoustic and fire-retardant felt. Standard selection:



Full Intuit House Fabric Collection available on request.

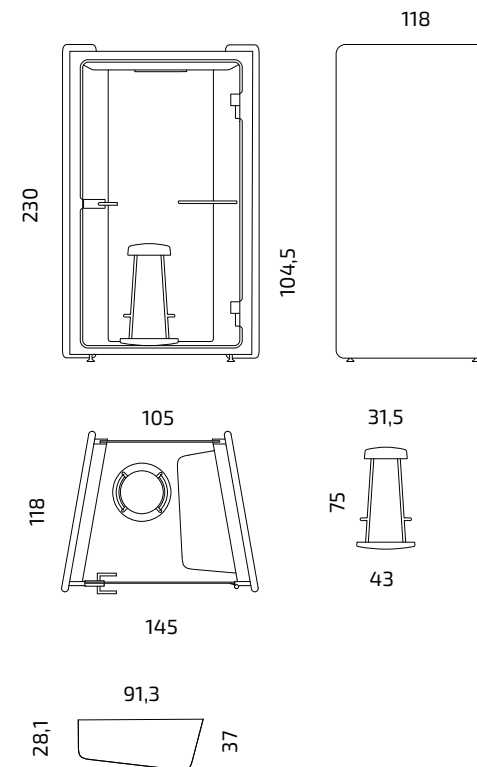
Inside: Wall panel cover is available in certified acoustic and fire-retardant material. Standard selection:



Floor: Floor cover is available in 2 colors in a fishbone pattern. Standard selection:



Dimensions



All dimensions provided in centimetres.

Product information

Structure

High-quality plywood, painted black

Materials

Outside: soft upholstered panels covered with certified acoustic and fire-retardant felt

Inside: ceiling and wall panels covered with certified acoustic and fire-retardant felt and fabric

Table: black high pressure laminate

Glass door and back wall: tempered glass panel, equipped with certified acoustic foil

Additional information

Acoustics: 31,1 db sound reduction

Electrification: Mains power outlet 220W. USB chargers (5A, type A and C) on request

Movable: On four wheels underneath, floor adjusters are integrated for levelling

Integrated ventilation

Airflow rate: when occupied 40l/s; stand-by mode, after 5 mins no occupancy 27l/s

Accessories

Bar height perch, 360 swivel and rocking



More Space

Booth's trapezoid shape is especially designed to feel spacious. It enables you to choose different positions. Its wide glass panels help you feel part of your wider surroundings, without being disturbed by them. And make the whole booth full of light. You can swing and turn on your chair, adapting your setup to whatever you need to work on.