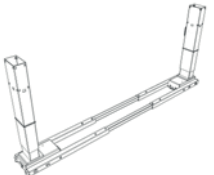
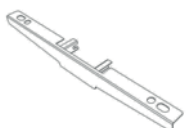





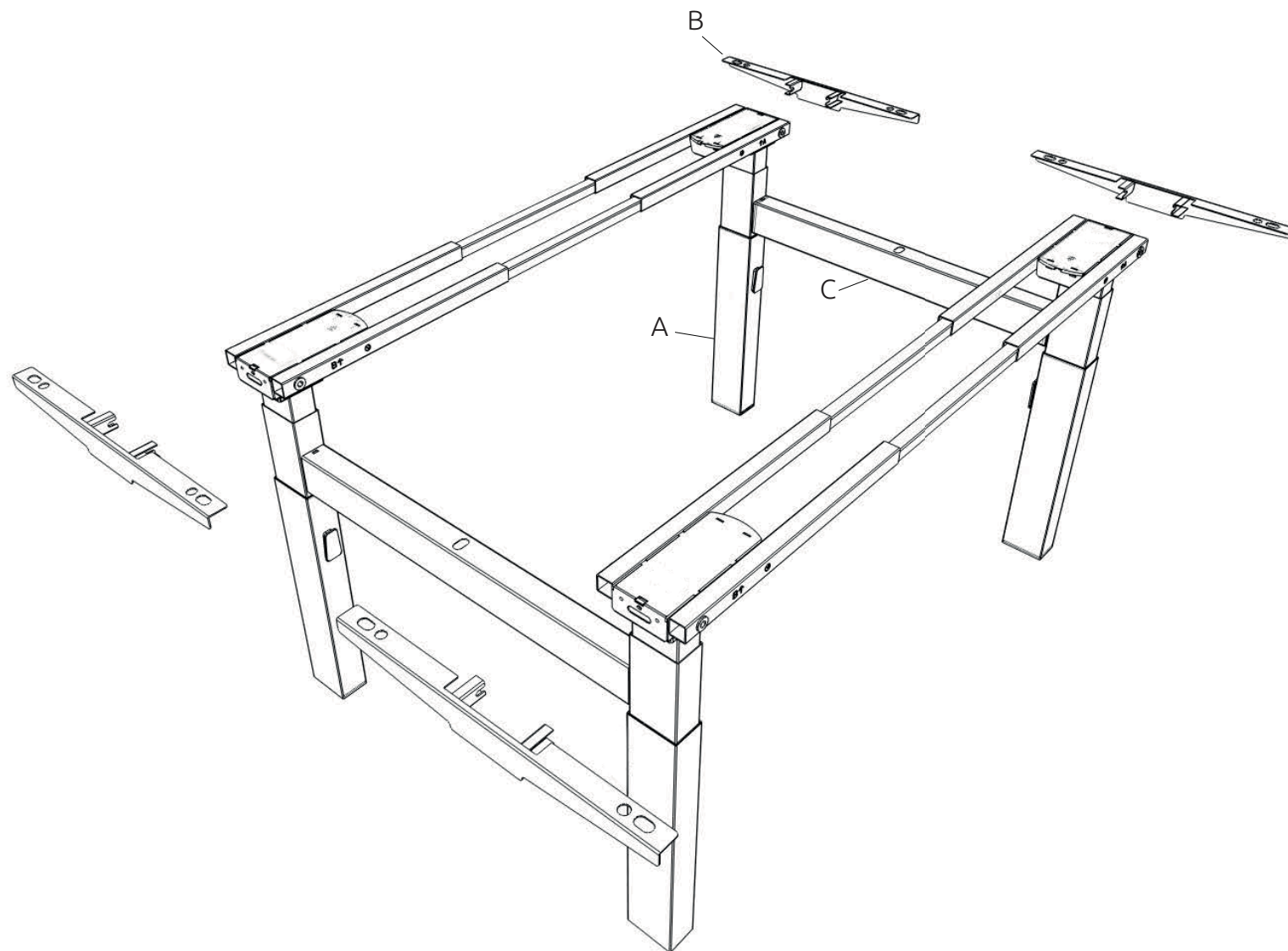


MARKANT

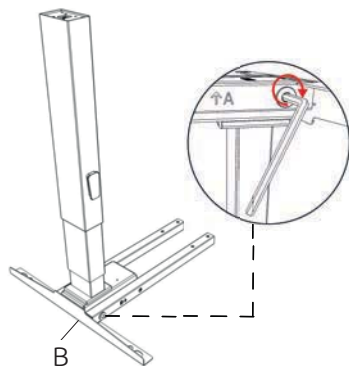
Matrix Pro duo installation manual

Code	Main Component	Qty
A		2
B		4
C		2
D		2

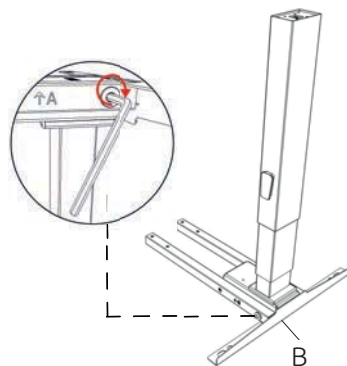
Tools & Manpower	Qty
 2 Manpower	2
 OPTION 1: Power Tool	2
 OPTION 2: Allen Key	
 Mallet	2



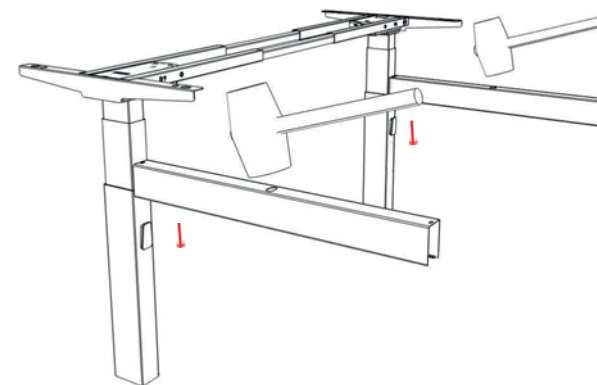
Step 1



Step 2



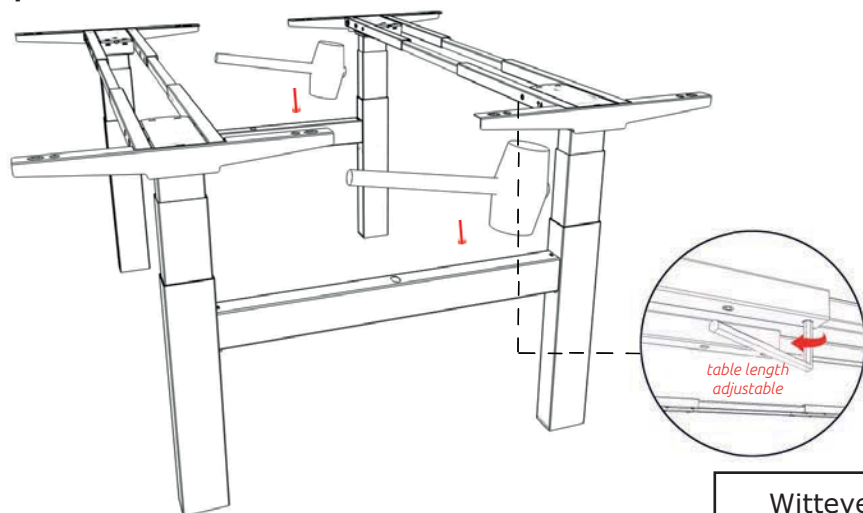
Step 3



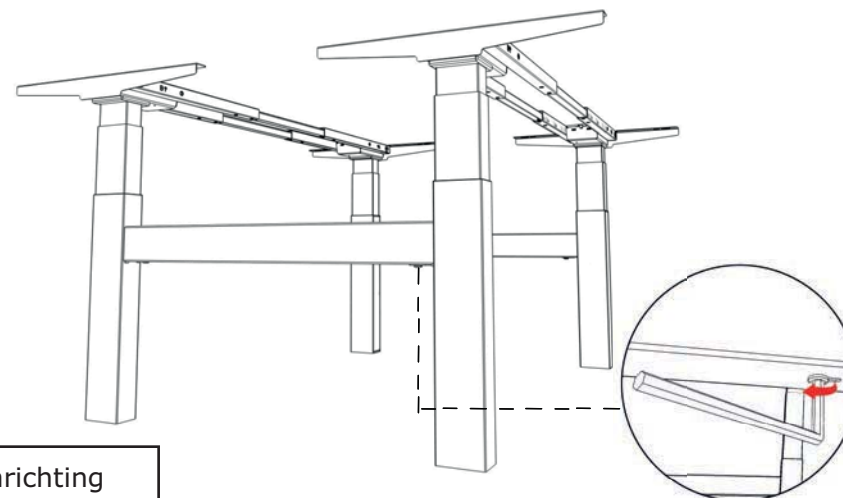
Repeat step 1 and step 2 to finish the other parts

Make sure the two legs are from the same box

Step 4



Step 5



Witteveen Projectinrichting
Ouderkerk a/d Amstel
Tel: 020 - 496 5030
info@witteveen.nl
www.staand-werken.nl
www.project-inrichting.nl