

Wilkhahn

Logon  
Confair folding table  
Timetable





**620 range Logon**  
Design: Andreas Störiko



**140 range Confair folding table**  
Design: Andreas Störiko



**610 range Timetable**  
Design: Andreas Störiko



## Versatile table culture

A table is perhaps the most important element of furniture for influencing cooperation within a company. In meetings, at the workplace, in conferences, in multifunctional seminar areas or in a project office – this is where people meet to assure themselves of their common identity or to develop something new.

For companies which assign as much value to openness, ease and dynamics as to high-level elegance, Wilkhahn offers table culture of the highest degree of excellence and design quality. The table ranges of Logon, Confair folding table and Timetable combine intelligent functionality with easy handling and unique aesthetics.

The unmistakable “family resemblance” of Andreas Störiko’s designs derives from three typical features: the rounded laminated wood lipping with integral, impact-resilient profile, the slender uprights and the elegantly modelled foot sections in die-cast aluminium.

The three table ranges provide coherent design solutions – as a single table or a conference configuration, static or mobile, foldable or pivotable. They may also be combined as required in multifunctional office and conference interiors.

**620 range Logon**  
Model 623/2

Logon offers single tables on glides or castors, and linked conference configurations in various geometric forms and sizes (customized on request).





Understated –  
yet intriguing.

The optically light, aesthetic impression made by Logon is due to an ingenious principle inspired by aircraft construction: foot sections and table top bearers are firmly braced by means of threaded rods in the uprights to achieve a particularly high degree of stability. The result: a table surface of 240 x 120 cm that appears to be suspended. This principle ensures spacious legroom. For both a desk and a linked conference configuration.

# A generously proportioned table – instantly.

The Confair folding table marks a completely new generation of tables: it can be folded up compactly and rolled away when a table is not required, and conversely be unfolded to full size again in no time. This allows versatile space utilization concepts with intelligent employment of office space and human resources, even in prestigious management interiors. Practical can mean elegant too.

**440 range Confair folding table**  
Model 440/2







Standby status – just in time:  
a large, compactly stored conference  
configuration is ready for action. The  
folded table is an eye-catcher too.

A Confair table seats eight comfortably.  
Tops are available in barrel or rectangular  
shapes, depending on their application  
as single tables or in linked configurations.  
There are optional utensil trays, integrated  
into the table surface, which remain in  
a horizontal position – even when the table  
is folded.





Chairs, pinboards, flipcharts and servers from the Confair range are modular, mobile and ideal for self-organized workshops. They provide perfect equipment for creative project work. The Confair table thus represents a modern culture of work and communication: dynamic, creative, space-saving – and elegant in design.

**610 range Timetable**

Model 612/5

Timetable fulfils all requirements in seminar environments with just two table depths and two table widths – and can also serve as a versatile complement to table configurations and workstations.





Storage could not be more efficient: seven compacted tables need a room depth of one metre only.

## A fascinating turn.

The cost of furnishing training and seminar areas often accounts for a mere fraction of total expenses for office space and facility management. Considerable savings in maintenance crew costs can be achieved by investing in intelligent, high-performance solutions.

A Timetable top can be pivoted along the horizontal axis with one simple movement, which automatically causes the foot sections to rotate. This allows tables to be moved easily, not only from room to room, but to be compacted effectively too. With the same aesthetic qualities that also characterize Logon and the Confair folding table.

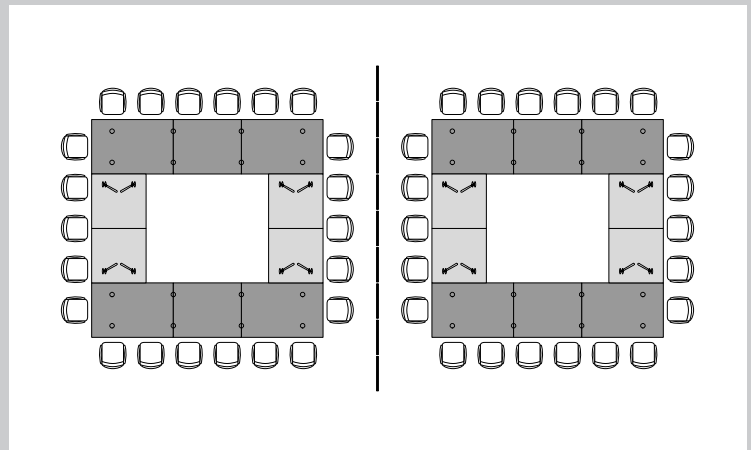
Witteveen Projectinrichting, Ouderkerk a/d Amstel ☐  
Tel: 020 - 4965030, Fax: 020 - 496 3052, info@witteveen.nl ☐  
www.project-inrichting.nl + www.ergo-burostoel.nl + www.ergonomics.nl

### Duplicate – divide – remove

The key is ingenious layout planning: conference interiors with prestigious, high-quality furniture may be used for varied applications with a combination of linearly linked Logon elements and Confair folding tables in coordinated dimensions. In this example, two conference rooms for 22 participants each, can be transformed into an open forum layout to accommodate 40, or also into a banqueting hall with four long, spacious tables, each seating 12. In the latter case, the folding tables would then be used for a buffet. Matched with versatile seating: the stackable Versal conference chair.

Models:

- 4 x Logon starting element 120 x 180
- 4 x Logon intermediate element 120 x 150
- 4 x Logon finishing element 120 x 180
- 4 x Confair folding table 120 x 240

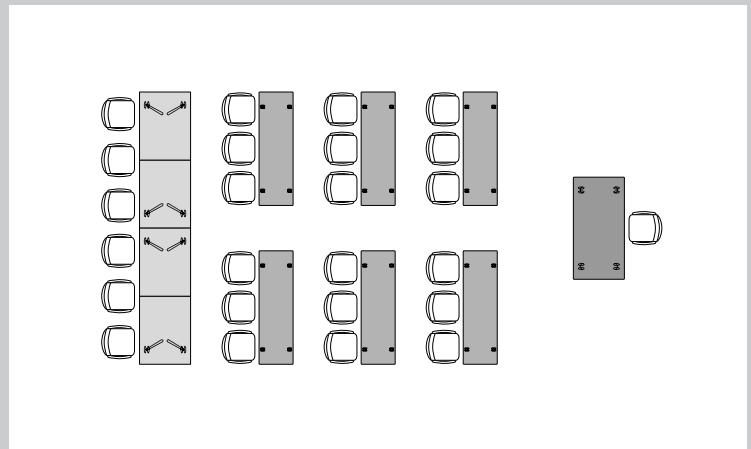


### Unlimited, versatile application.

Confair folding tables, Logon single tables and Timetable models provide the ideal solution for first-class furnishing of conference and training centres. The perfect coordination of various depths and widths permits virtually unlimited, versatile constellations that can be set up without any assembly operations and by just one person. This saves time, effort and cost... For seating, we recommend the compact Confair chairs, or stackable cantilever models from, for example, the Sito range.

Models:

- 2 x Confair folding tables 90 x 240
- 1 x Logon single table 90 x 180, castors
- 6 x Timetable 60 x 200



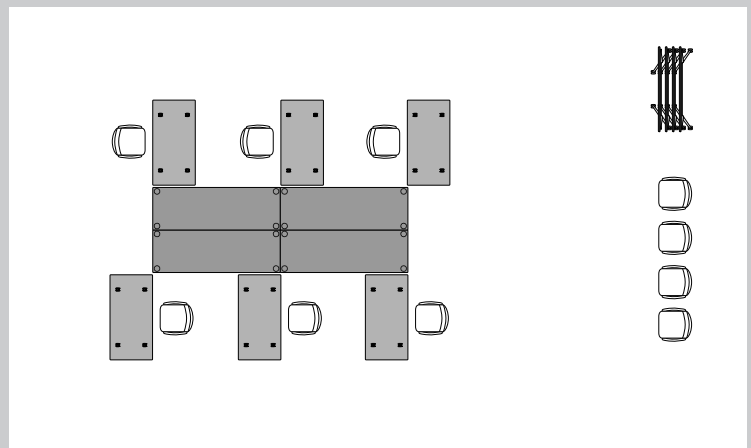
### Dynamic project work.

Modern forms of work require dynamic adjustment of furniture to the various tasks in hand. Task table configurations of single Logon tables may therefore be regrouped at any time or complemented with models from the Timetable range. For presentations, spontaneous meetings or for temporary increase in team numbers...

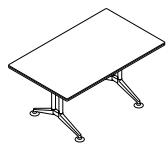
To match the table design: office chairs and cantilever models from the Modus or Solis/Sito ranges.

Models:

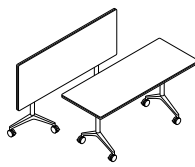
- 4 x Logon single tables 75 x 225
- 10 x Timetable 75 x 150



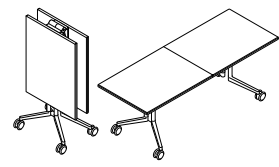
All dimensions in cm



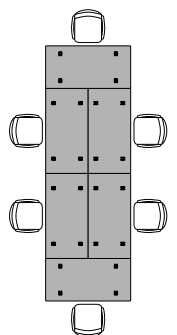
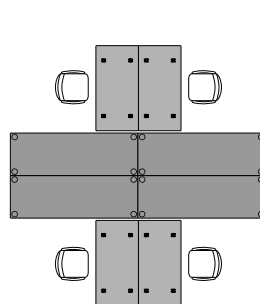
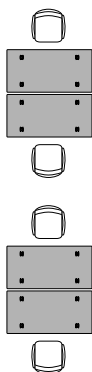
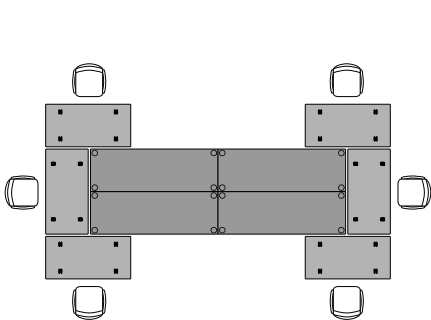
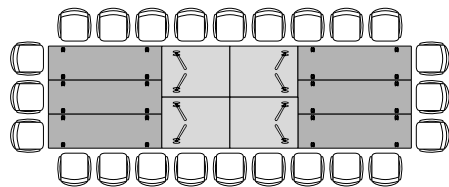
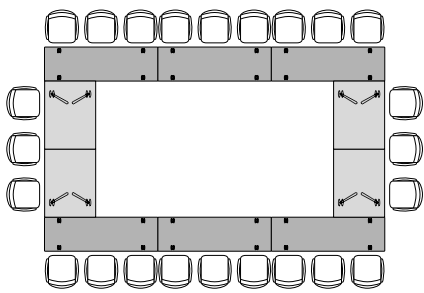
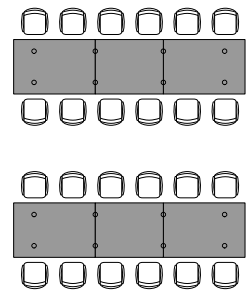
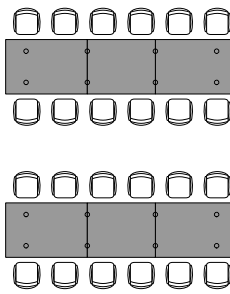
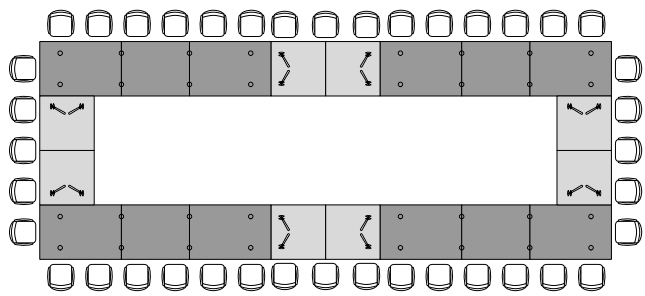
Logon tables



Timetables

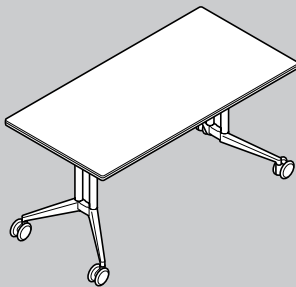


Confair folding tables



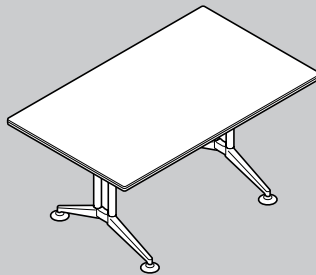


**Single tables on castors**



621/5, 75 x 150  
623/51, 90 x 180

**Single tables on adjustable glides**



Model group 621: 75 x 150/225  
Model group 623: 90 x 150/180/240  
(90 x 180 optionally with infinitely variable height adjustment)

Model group 625: 105 x 180/240  
Model group 627: 120 x 180/240  
(optionally with rounded sides for table depths 180 and 240)

**Logon**  
620 range

Single tables and system elements for permanently linked table configurations.

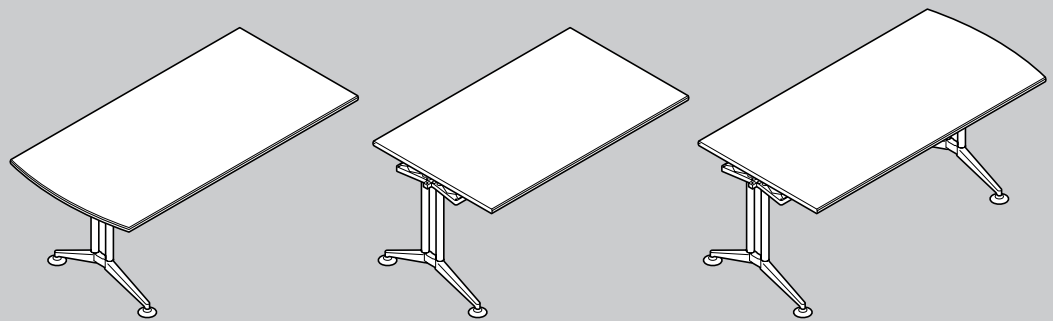
**Frame**  
Foot section in die-cast aluminium, chromium-plated, polished or colour coated; uprights in anodized aluminium or colour coated; table top bearers and underframe in aluminium, coated in the colour platinum or black; adjustable glides and lockable swivel castors in black polyamide.

**Table tops**  
Particle board with laminated wood lipping and integral, impact-resilient profile in black polypropylene.

**Surface finish**  
Laminate, wood veneer or linoleum according to Wilkhahn colour samples.

**Accessories**  
Modesty panels in fluted, extruded aluminium, anodized or coated black. Power supply system: Wilkhahn-CableXpress.

**Table configurations:**  
starting, intermediate, corner and finishing elements  
90° and 45° corner elements



Model group:  
624, table depth 90  
626, table depth 105  
628, table depth 120

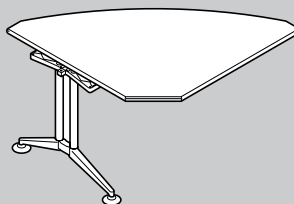
90 x 180  
105 x 180  
120 x 180

90 x 75/150/225  
105 x 75/150/225  
120 x 75/150/225

90 x 180  
105 x 180  
120 x 180



90 in 45°  
105 in 45°  
120 in 45°

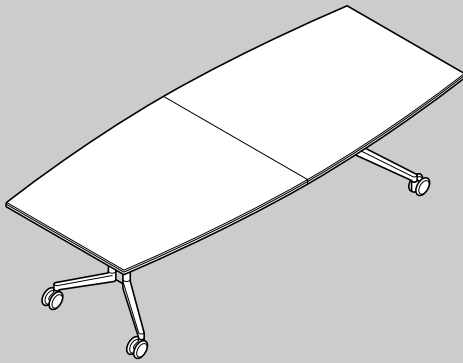


90 in 90°  
105 in 90°  
120 in 90°

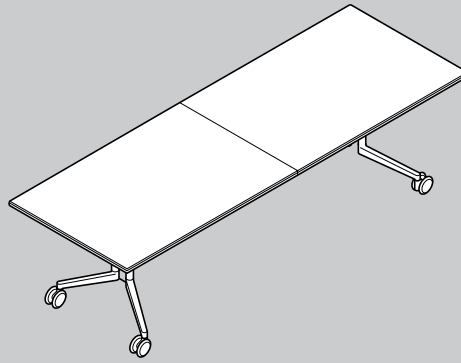
Model group:  
624, table depth 90  
626, table depth 105  
628, table depth 120



Chromium-plated, polished or coated, on glides or with adjustable castors – the frame versions of the three table ranges are customized to meet relevant requirements.



**440/2** folding table  
(440/1 with utensil trays),  
barrel-shaped form, 110 x 260



**440/21** folding table  
(440/11 with utensil trays),  
rectangular form, 90 x 260

**Confair folding table**  
440 range

Mobile, single, folding tables for conference and training environments.

**Frame**  
Foot section in die-cast aluminium, chromium-plated, polished or colour coated; uprights in anodized aluminium or colour coated; underframe in aluminium, coated in the colour platinum or black; lockable swivel castors in black polyamide. Optional utensil trays in black ABS plastic.

**Table tops**  
Laminboard with laminated wood lipping and integral, impact-resilient profile in black polypropylene.

**Surface finish**  
Laminate, wood veneer or linoleum according to Wilkhahn colour samples.

**Accessories**  
Snap connectors for linking several folding tables.

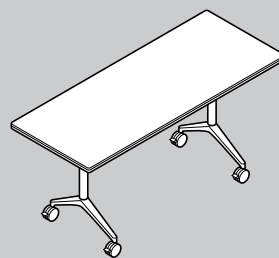
**Timetable**  
610 range

Mobile, single, pivotable tables, allowing compact storage, for seminar and office environments.

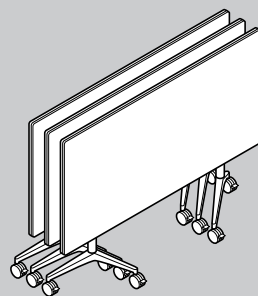
**Frame**  
Foot section in die-cast aluminium, chromium-plated or polished; pivotable uprights and underframe in steel, coated in the colour platinum or black; lockable swivel castors in black polyamide.

**Table tops**  
Particle board with laminated wood lipping and integral, impact-resilient profile in black polypropylene.

**Surface finish**  
Laminate or wood veneer according to Wilkhahn colour samples.



Model group **610**: 60 x 150/225



Model group **612**: 75 x 150/225

The Wilkhahn Customized Manufacturing Centre offers special sizes, forms and surface finishes for individually customized configurations, in addition to the models shown for the Logon, Confair folding table and Timetable ranges.

All dimensions in cm

**Wilkhahn**

Wilkening + Hahne GmbH+Co  
Fritz-Hahne-Straße 8  
31848 Bad Münder  
Germany  
Tel. (05042) 999-0  
Fax (05042) 999-226  
info@wilkhahn.de  
www.wilkhahn.de

Australia  
Wilkhahn Asia Pacific  
Head Quarters  
Wilkhahn Forum Sydney  
235 Cope Street  
Waterloo NSW 2017  
Tel. (61) 2 9310 3355  
Fax (61) 2 9319 5655  
wilkhahn@wilkhahn.com.au

Brisbane  
Wilkhahn Asia Pacific  
Wilkhahn Forum Brisbane  
2/40 Douglas Street  
Milton QLD 4064  
Tel. (61) 7 3369 2088  
Fax (61) 7 3369 3088  
wilkhahn@wilkhahn.com.au

Hong Kong  
Wilkhahn Asia Pacific  
Wilkhahn Forum Hong Kong  
Goethe Institut  
13F Hong Kong Art Centre  
2 Harbour Road, Wanchai  
Tel. (852) 2827 0800  
Fax (852) 2827 0855  
wilkhahn@wilkhahn.com.au

Kuala Lumpur  
Wilkhahn Asia Pacific  
Wilkhahn Forum Kuala Lumpur  
A-3-7 Megan Phileo Promenade  
189 Jalan Tun Razak  
50400 Kuala Lumpur, Malaysia  
Tel. (603) 2162 6766  
Fax (603) 2162 6760  
wilkhahn@wilkhahn.com.au

Melbourne  
Wilkhahn Asia Pacific  
Wilkhahn Forum Melbourne  
Level 1, 423 Bourke Street  
Melbourne VIC 3000  
Tel. (61) 3 9670 5570  
Fax (61) 3 9670 5535  
wilkhahn@wilkhahn.com.au

Singapore  
Wilkhahn Asia Pacific  
Wilkhahn Forum Singapore  
No. 79 Anson Road, #13-06  
079906 Singapore

Austria  
Wilkhahn Handelsges.m.b.H.  
Penzinger Straße 16  
1140 Vienna  
Tel. (01) 894 21 68-0  
Fax (01) 894 21 68-15  
office@wilkhahn.at

Belgium  
Wilkhahn  
Oude Leeuwenrui 7-11  
2000 Antwerpen  
Tel. (03) 232 93 91  
Fax (03) 227 16 16  
info@wilkhahn.be

France  
Wilkhahn S.à r.l.  
Hôtel industriel Berlier  
15 rue Jean-Baptiste Berlier  
75013 Paris  
Tel. (01) 44 23 76 70  
Fax (01) 44 23 76 75  
info@wilkhahn.fr

Great Britain  
Wilkhahn Ltd.  
Wilkhahn Forum London  
Morelands  
5-23E Old Street  
London EC1V 9HL  
Tel. (0)20 73 24 29 00  
Fax (0)20 73 24 29 01  
sales@wilkhahn.co.uk

Japan  
Wilkhahn Japan Co., Ltd.  
Axis Building 3F  
5-17-1 Roppongi  
Minato-ku  
Tokyo 106-0032  
Tel. (03) 5573 2411  
Fax (03) 5573 2413  
info@wilkhahn.co.jp  
www.wilkhahn.co.jp  
www.netract.gr.jp

Netherlands  
Wilkhahn Forum Rotterdam  
Van Nelle-Ontwerpfabriek  
Van Nelleweg 3138  
3044 BC Rotterdam  
Tel. (010) 750 33 90  
Fax (010) 750 33 91  
info@wilkhahn.nl

North America  
Vecta®  
1800 South Great  
Southwest Parkway  
Grand Prairie  
Texas 75051  
Tel. (0972) 641 28 60  
Fax (0972) 660 17 46  
mrose@vecta.com  
www.vecta.com

South Africa  
Wilkhahn  
Emergent Office Solutions Pty. Ltd.  
P.O. Box 2963  
Johannesburg 2000  
Tel. (011) 575 00 44  
Fax (011) 576 19 35  
info@emergent.co.za  
www.emergent.co.za

Spain  
Wilkhahn S.A.  
Pº Castellana, 128  
28046 Madrid  
Tel. 902 113 123  
Fax 91 411 46 86  
infocomercial@wilkhahn.es  
www.wilkhahn.es

Switzerland  
Wilkhahn AG  
Postgasse 17  
Postfach 808  
3000 Bern 8  
Tel. (031) 310 13 13  
Fax (031) 310 13 19  
info@wilkhahn.ch  
www.wilkhahn.ch

Witteveen Projectinrichting, Ouderkerk a/d Amstel ☐  
Tel: 020 - 4965030, Fax: 020 - 496 3052, info@witteveen.nl ☐  
www.project-inrichting.nl + www.ergo-burostoel.nl + www.ergonomics.nl