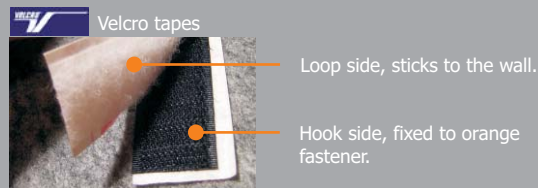


## Installation Instructions

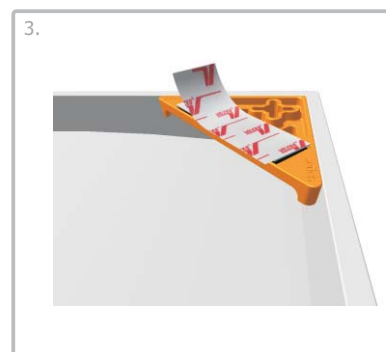
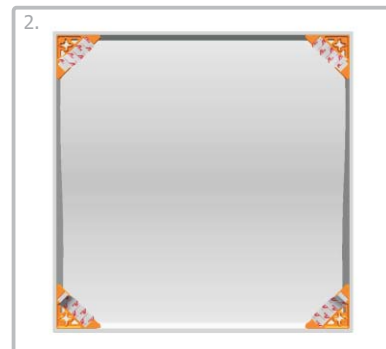
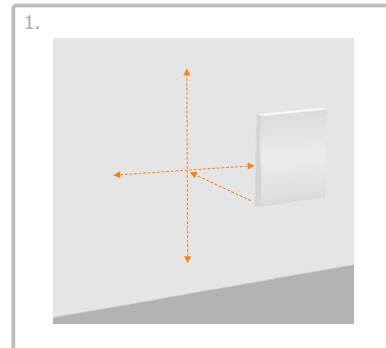
Soften Wallpanels can be installed on most wall surfaces. For plumb and plain surfaces, panels can be attached by the supplied Velcro tapes. Screw fastening is also possible. Before installation, clean the fixing surface carefully. Installation is simple; all you need is a pen and a measure tape. The minimum installation temperature is +10 degrees.

1. Prepare the layout for your panels. Mark the horizontal and vertical lines to help align the panels.

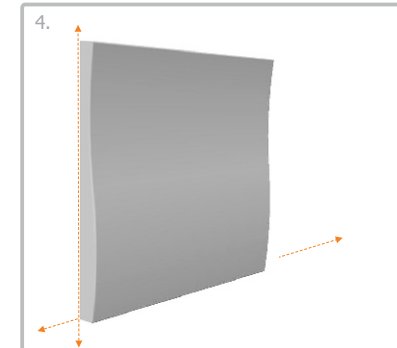
2. Each panel has four orange fasteners with Velcro tapes attached to them. Both hook and loop sides are included. Everything is ready for the installation.



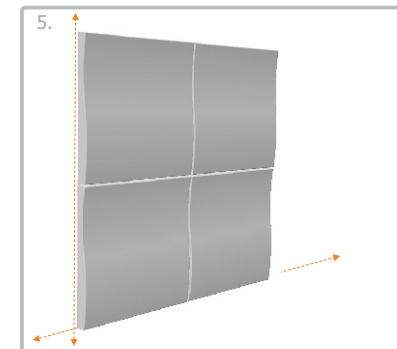
3. Peel off the protective papers covering the Velcro tapes. Note that the adhesive side of the Velcro sticks very fast.



4. Align the first panel with horizontal and vertical lines and press it firmly to the wall.



5. Install other panels so that they align with the first panel and horizontal/vertical lines. For each panel, press at all corners for 5 to 10 seconds.



6. Detach panels carefully from the wall to check the fixing of Velcro loop side to the wall. Check each strip individually, around the edges in particular. After final fastness in 24 hours, Soften Wallpanels are removable and fully interchangeable.

